

Galaxy VS Mounting Skid Kit GVSOPT027

What's in This Document

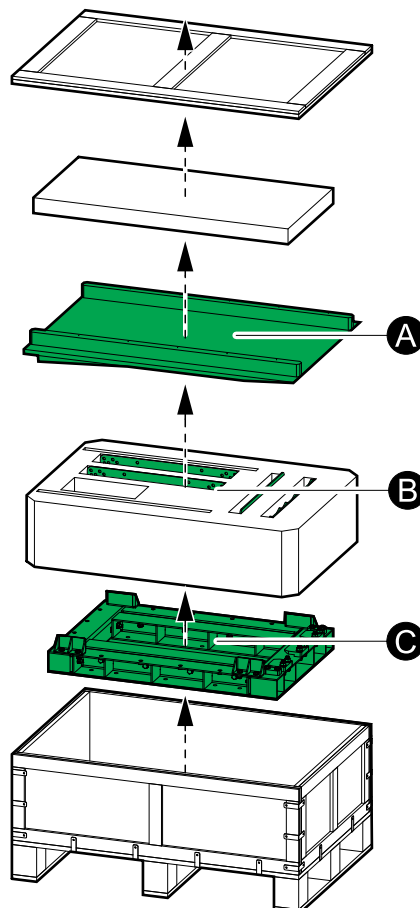
Install Mounting Skid Kit for the Galaxy VS UPS for External Batteries 1

Install Mounting Skid Kit for the Modular Battery Cabinet GVSMODBC6 8

Install Mounting Skid Kit for the Galaxy VS UPS for External Batteries

NOTE: The IP22 kit must be installed prior to installing the UPS on the mounting skid assembly.

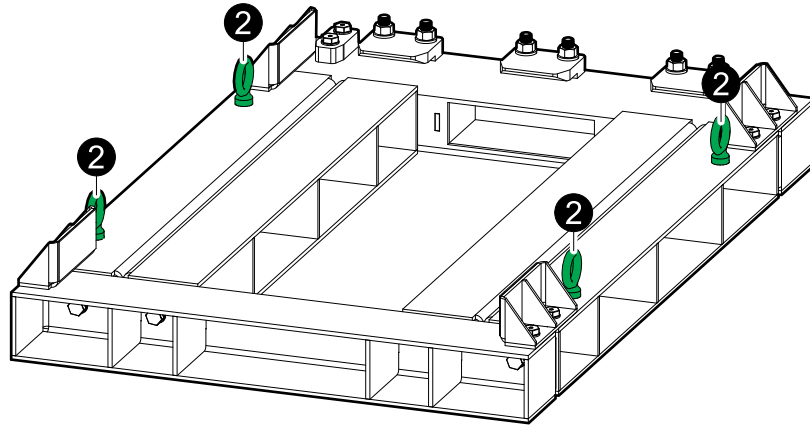
1. Unpack the shipping box. The box contains the ramp (A) for wheeling the cabinet onto the mounting skid assembly, the mounting skid parts (B), and the mounting skid assembly (C).



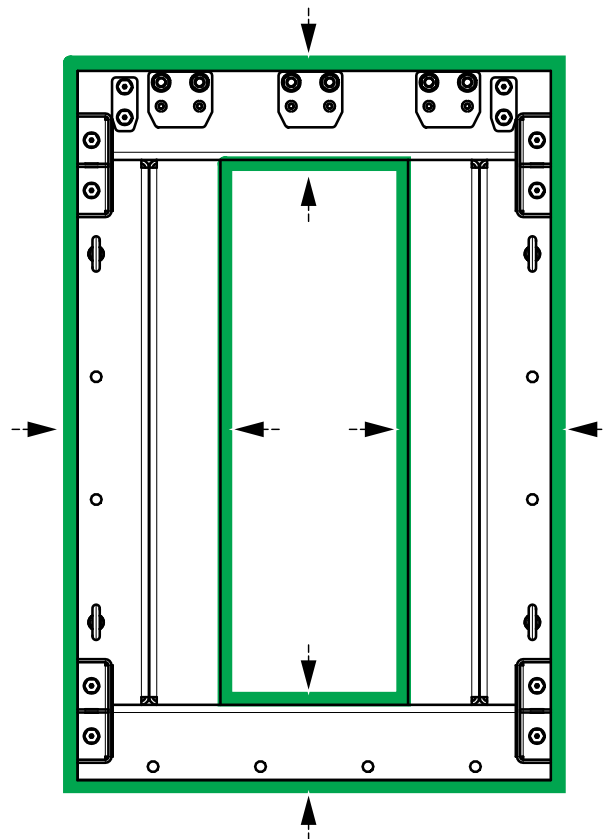
2. Lift the mounting skid assembly into the final installation area using the eye bolts. The mounting skid assembly weighs 77 kg (170 lbs), use appropriate lifting equipment.

NOTE: Required minimum rear clearance is 75 mm (3 in) for ventilation from rear of the mounting skid assembly to the wall.

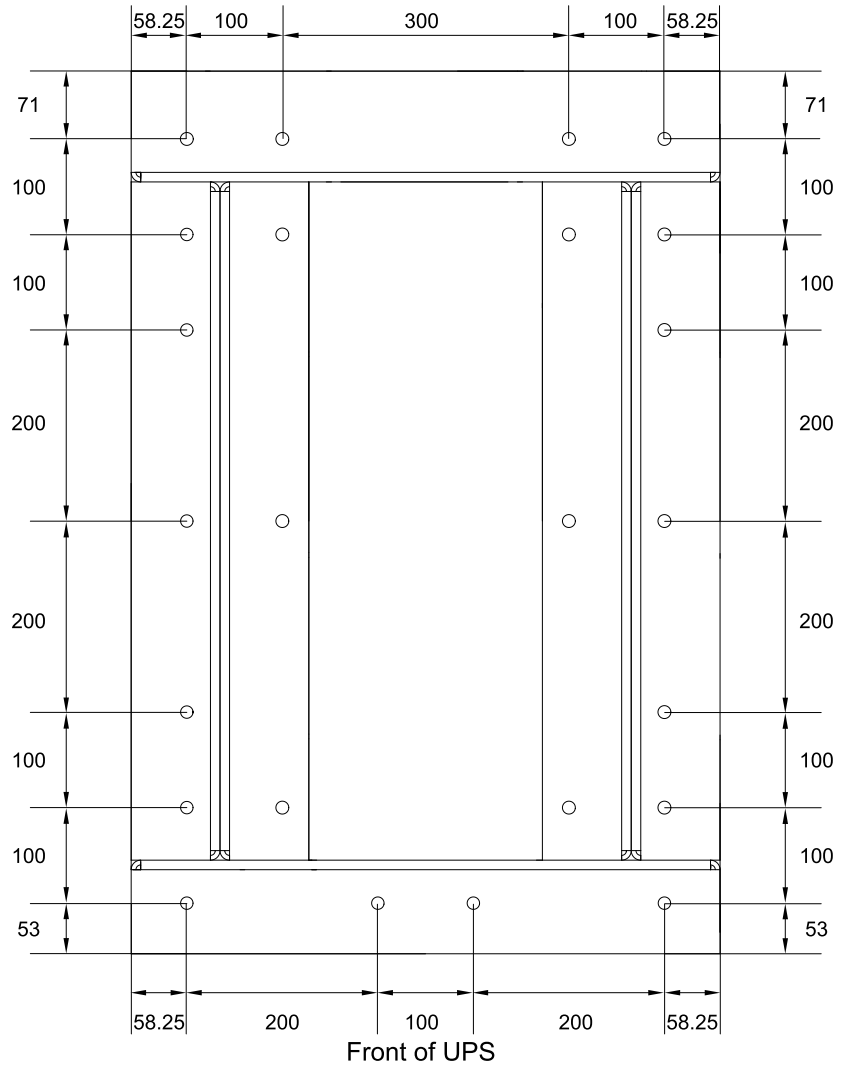
Front View of Mounting Skid Assembly



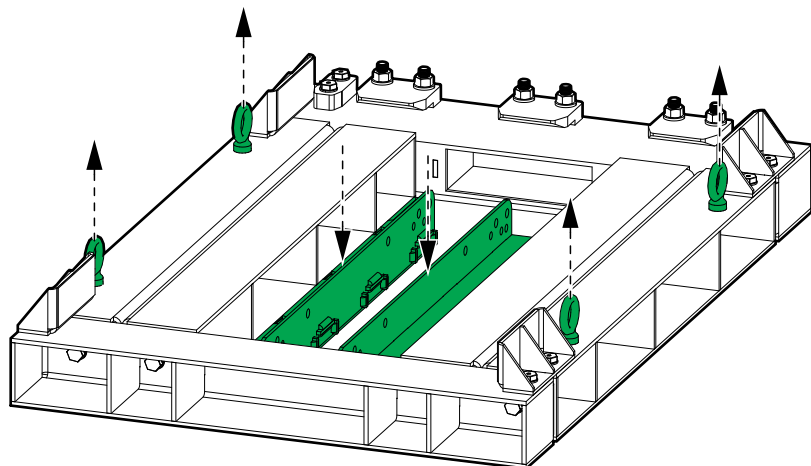
3. Mount the mounting skid assembly to the deck using one of the following methods:
 - Weld the mounting skid assembly to the deck. Weld on the inside and outside of the mounting skid assembly (areas marked with green).



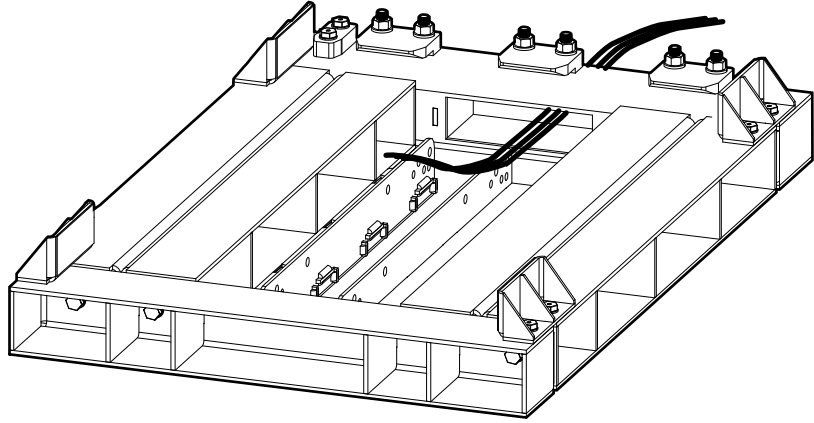
- Bolt the mounting skid assembly to the deck. Use appropriate hardware for the deck – minimum requirement is M12 strength grade 8.8 hardware. Drill holes for the bolts in the deck according to the diagram below (in mm).



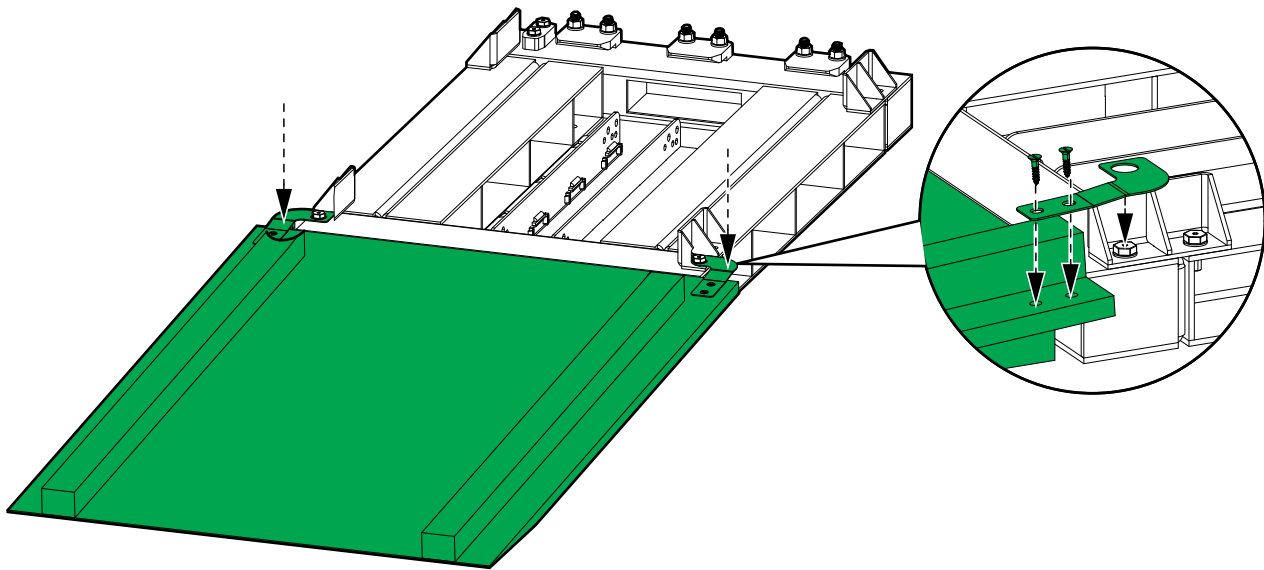
4. Place the two brackets inside the mounting skid assembly and remove the four eye bolts.



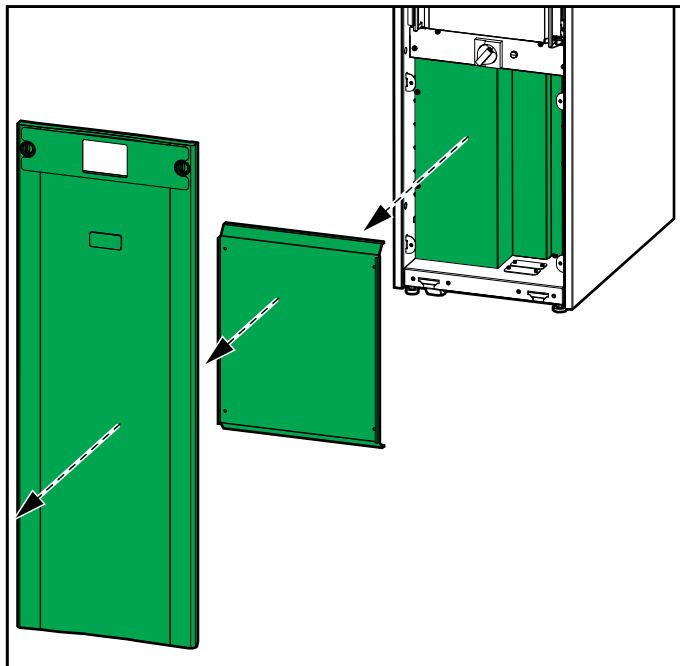
5. Route the power cables through the opening in the mounting skid assembly and bundle.



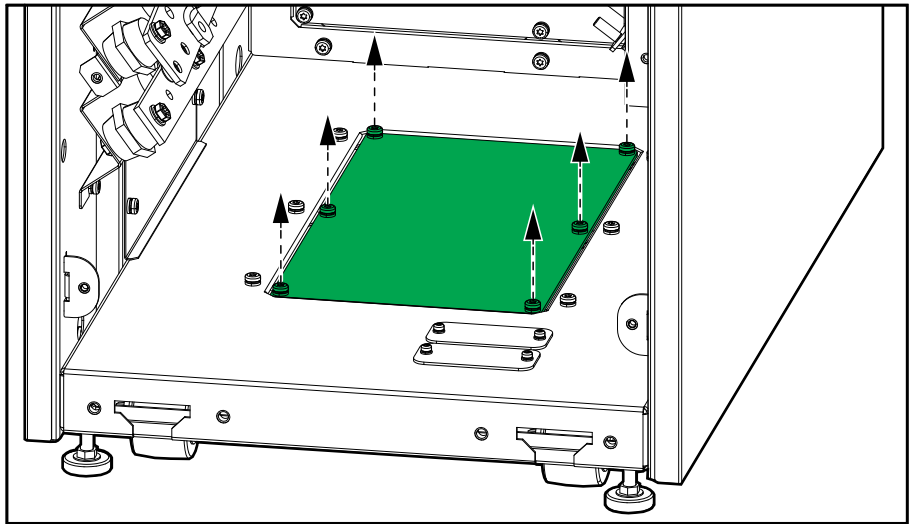
6. Place the ramp and fasten it to the sides of the mounting skid assembly with the provided brackets and screws.



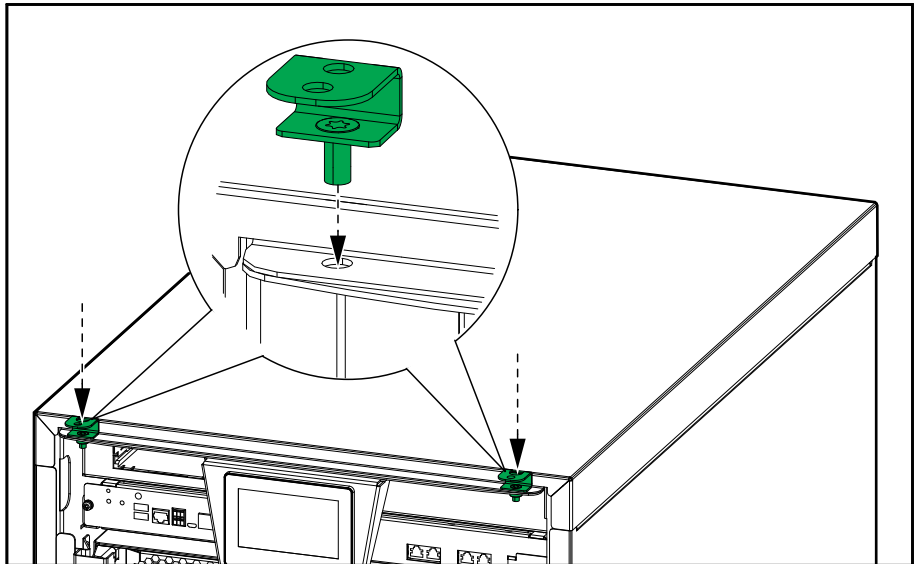
7. Remove the indicated panels and covers from the UPS.



8. Remove the gland plate in the bottom of the UPS.

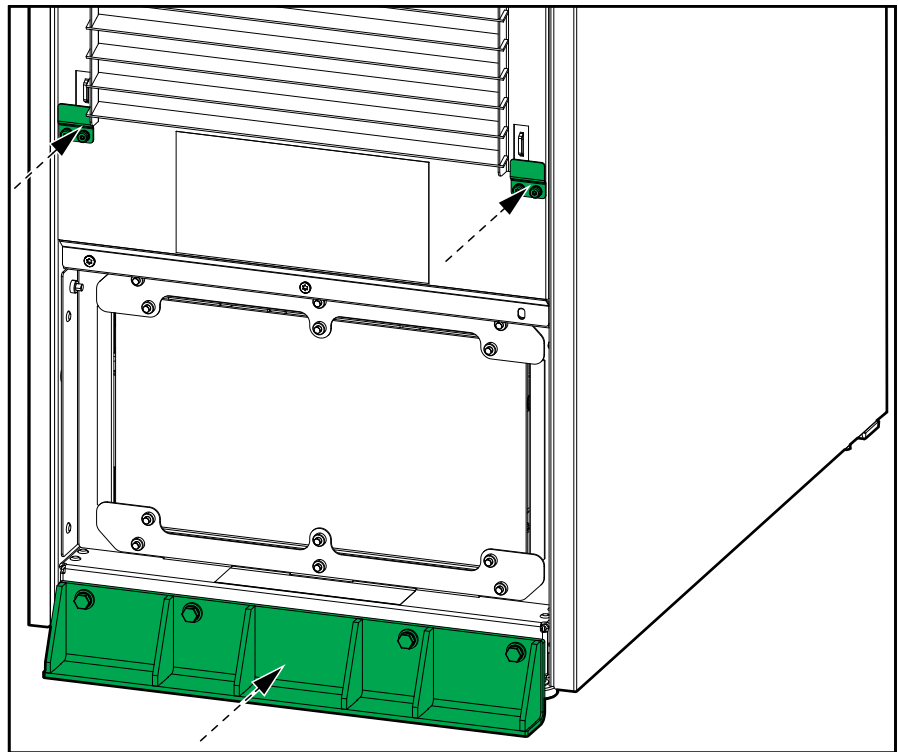


9. Mount the two indicated brackets from the kit on the UPS. Use the bolts from the UPS to fasten the brackets.

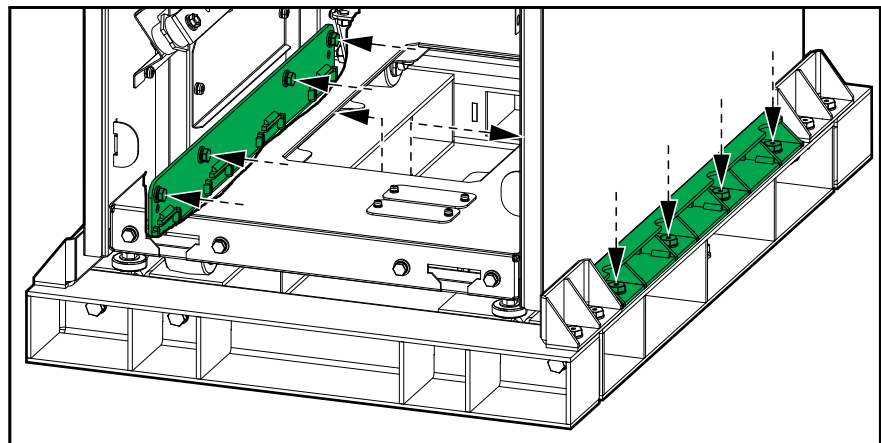


10. Mount the rear anchoring bracket and the two indicated brackets from the kit on the UPS.

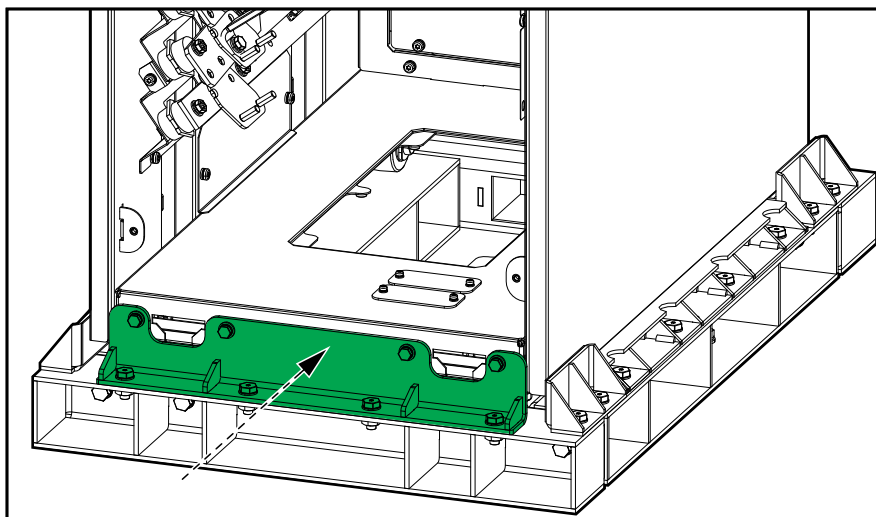
Rear View of the UPS



11. Wheel the UPS up the ramp and onto the mounting skid assembly. Ensure that the rear anchoring bracket of the UPS slides below the solid blocks at the rear of the mounting skid assembly.
12. Lift up the brackets placed inside the mounting skid assembly and slide them in between the mounting skid assembly and the bottom of the UPS in both the left and right side. Fasten each bracket with four bolts to the inside of the UPS and four bolts to the mounting skid assembly.



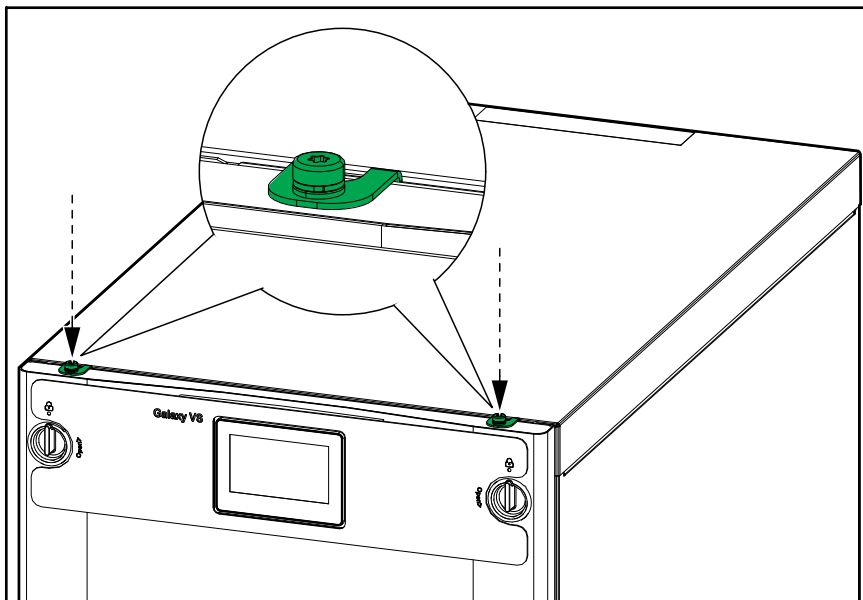
13. Install the front anchoring bracket.



14. Follow the UPS installation manual to complete the installation.

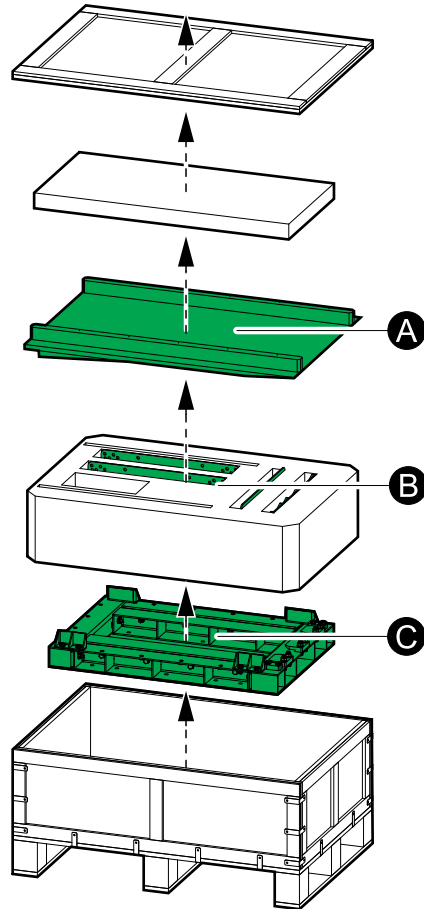
15. Reinstall the panels and covers on the UPS.

16. When the installation has been completed, fasten the two indicated brackets to the front door.



Install Mounting Skid Kit for the Modular Battery Cabinet Cabinet GVSMODBC6

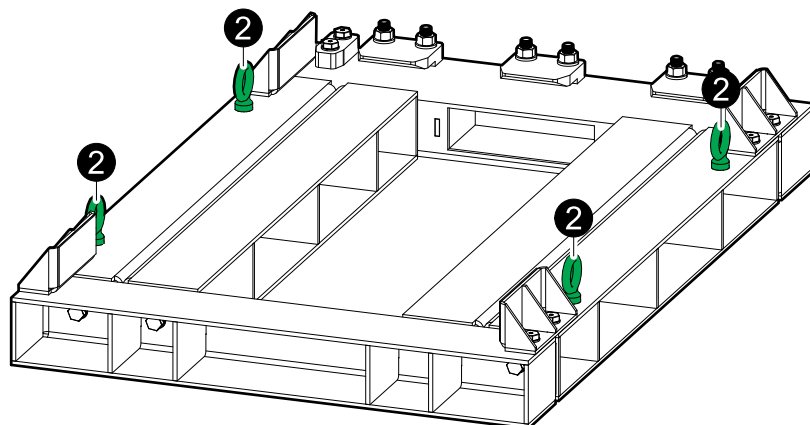
1. Unpack the shipping box. The box contains the ramp (A) for wheeling the cabinet onto the mounting skid assembly, the mounting skid parts (B), and the mounting skid assembly (C).



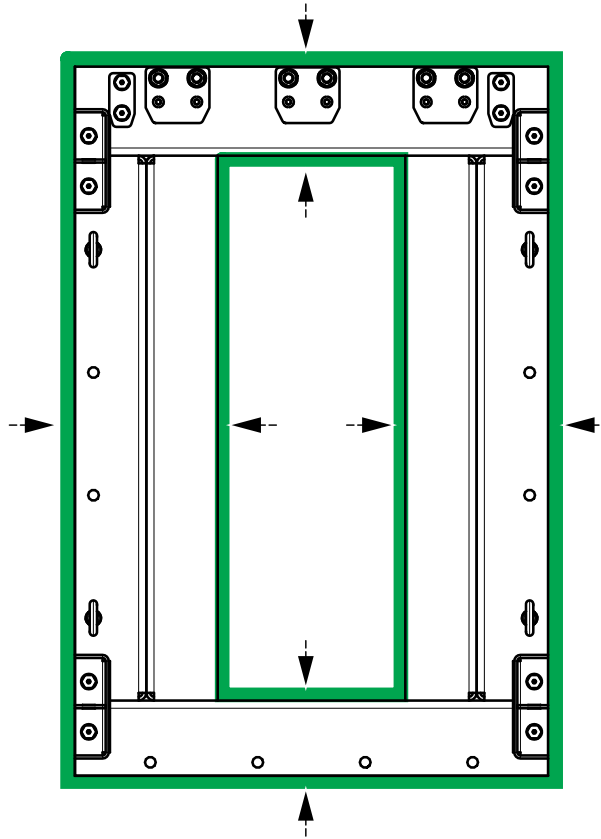
2. Lift the mounting skid assembly into the final installation area using the eye bolts. The mounting skid assembly weighs 77 kg (170 lbs), use appropriate lifting equipment.

NOTE: Required minimum rear clearance is 75 mm (3 in) for ventilation from rear of the mounting skid assembly to the wall.

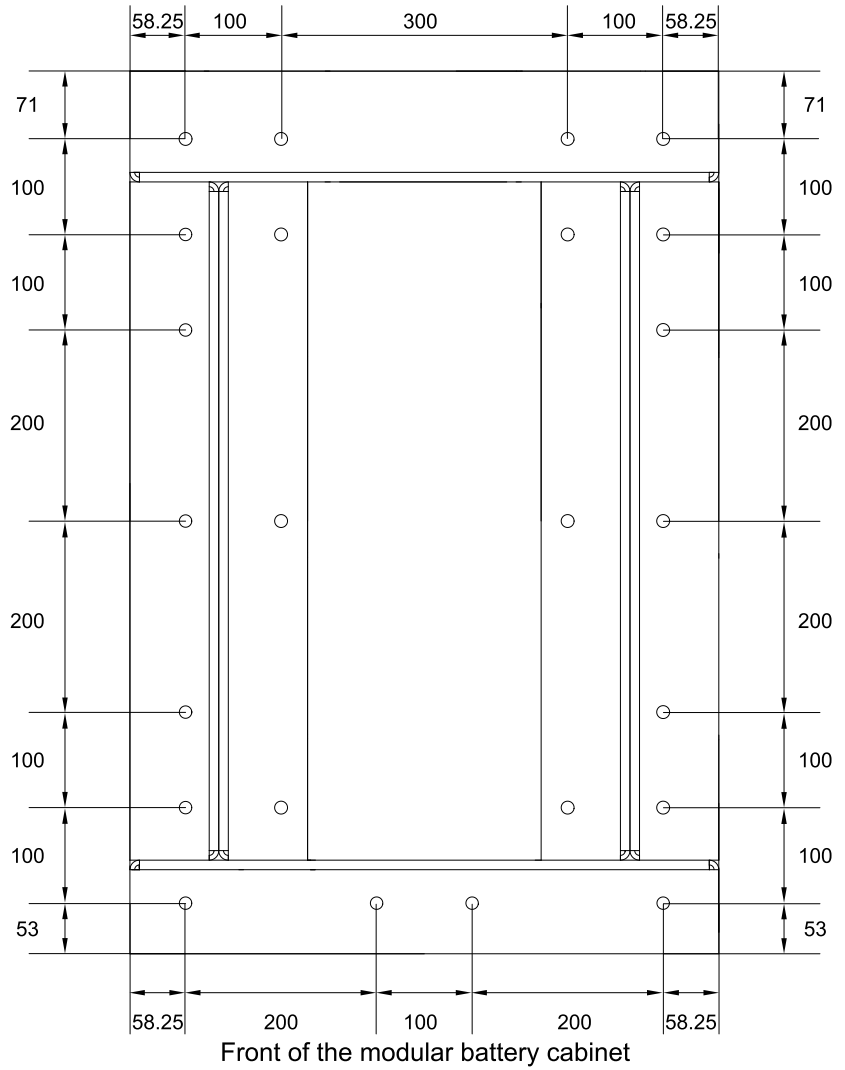
Front View of Mounting Skid Assembly



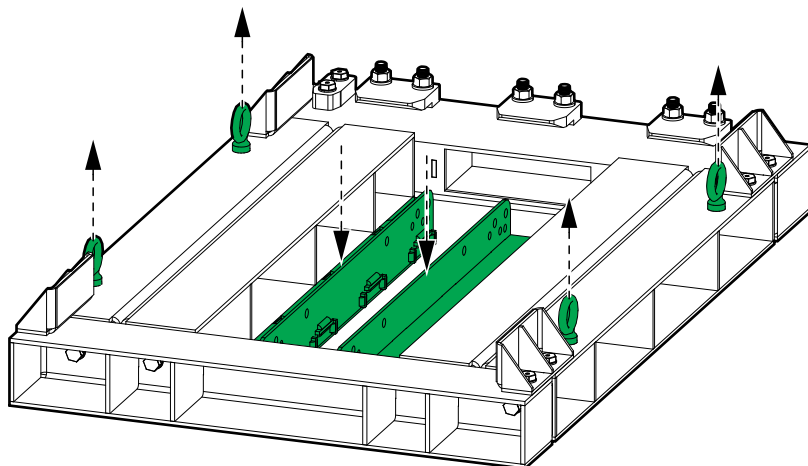
3. Mount the mounting skid assembly to the deck using one of the following methods:
 - Weld the mounting skid assembly to the deck. Weld on the inside and outside of the mounting skid assembly (areas marked with green).



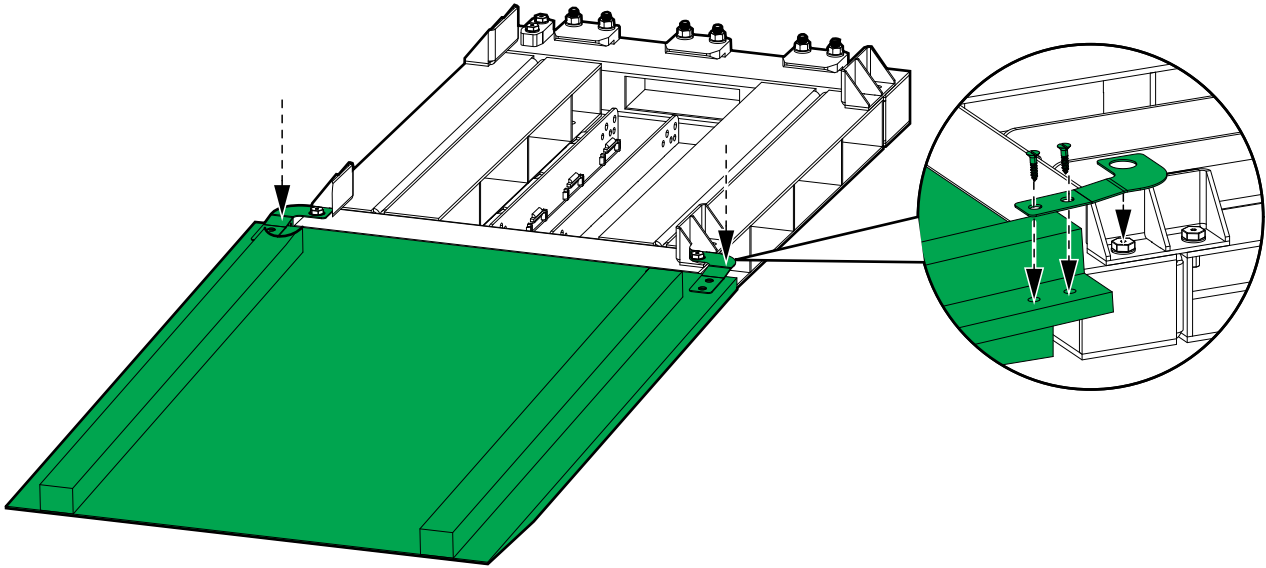
- Bolt the mounting skid assembly to the deck. Use appropriate hardware for the deck – minimum requirement is M12 strength grade 8.8 hardware. Drill holes for the bolts in the deck according to the diagram below (in mm).



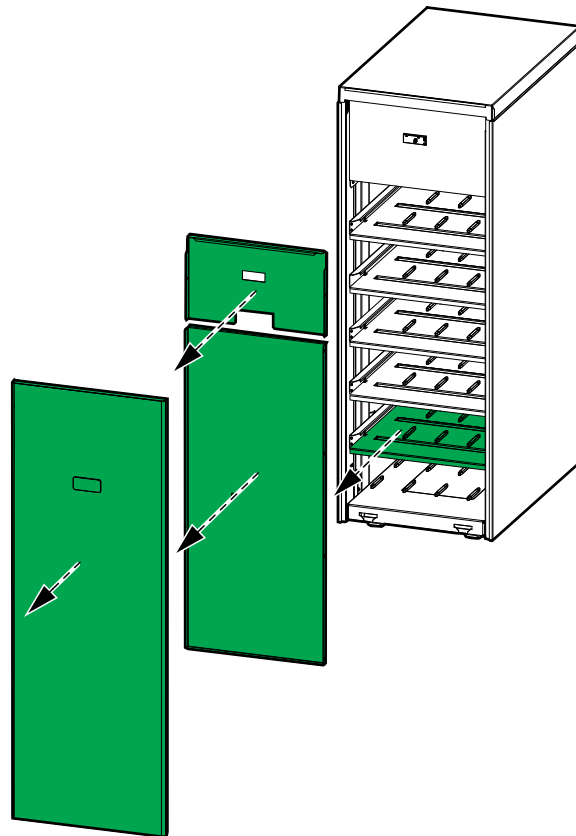
4. Place the two brackets inside the mounting skid assembly and remove the four eye bolts.



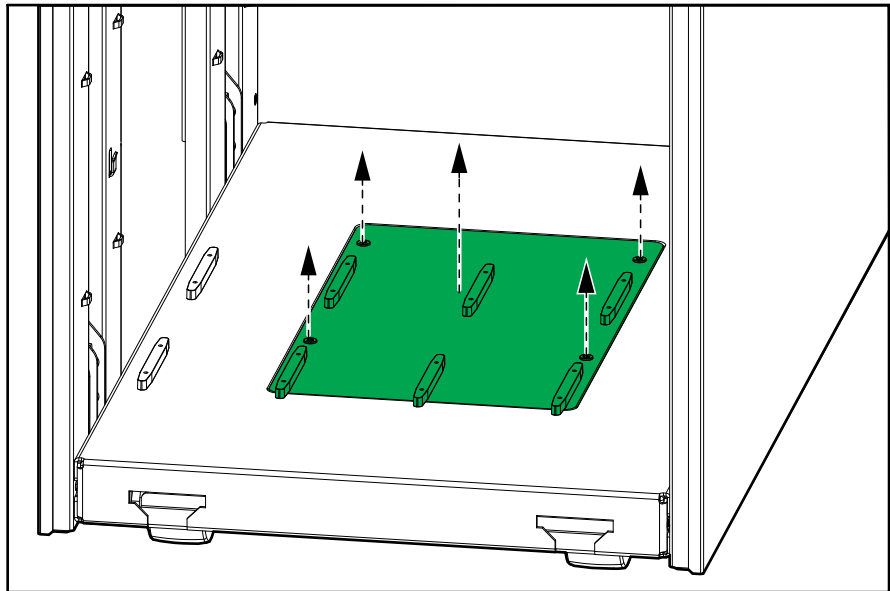
5. Place the ramp and fasten it to the sides of the mounting skid assembly with the provided brackets and screws.



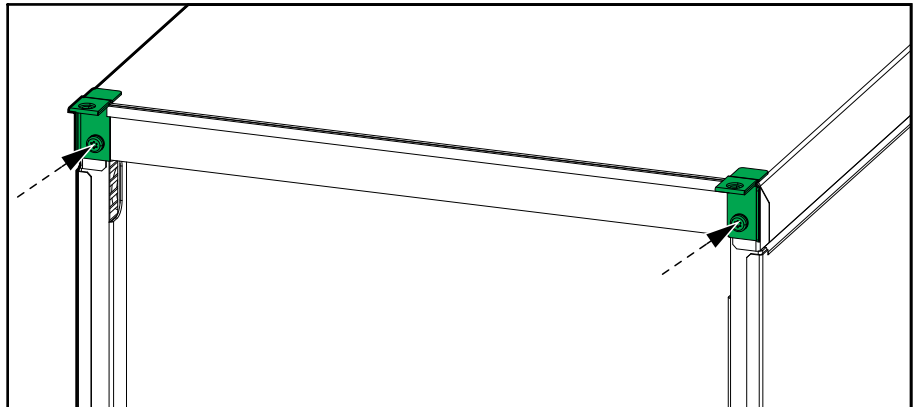
6. Remove the indicated panel, covers, and the bottom shelf from the modular battery cabinet.



7. Remove the plate in the bottom of the modular battery cabinet.

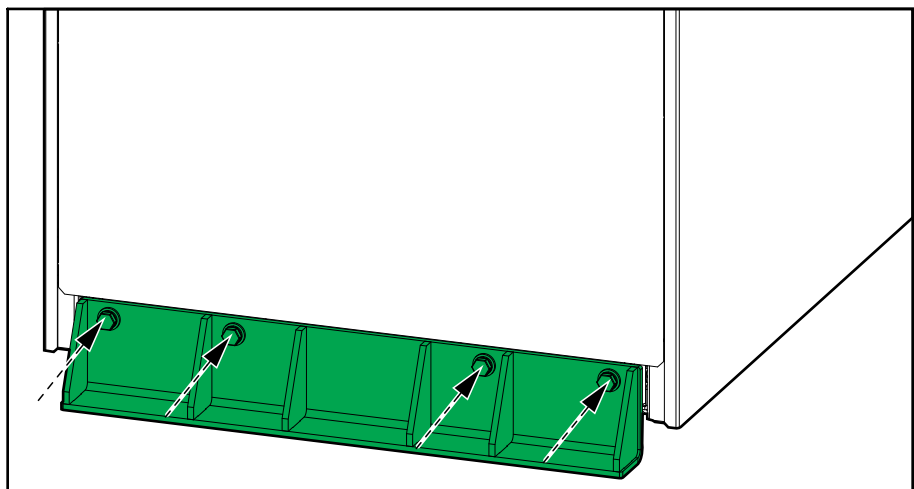


8. Mount the two indicated brackets from the kit on the front of the modular battery cabinet.



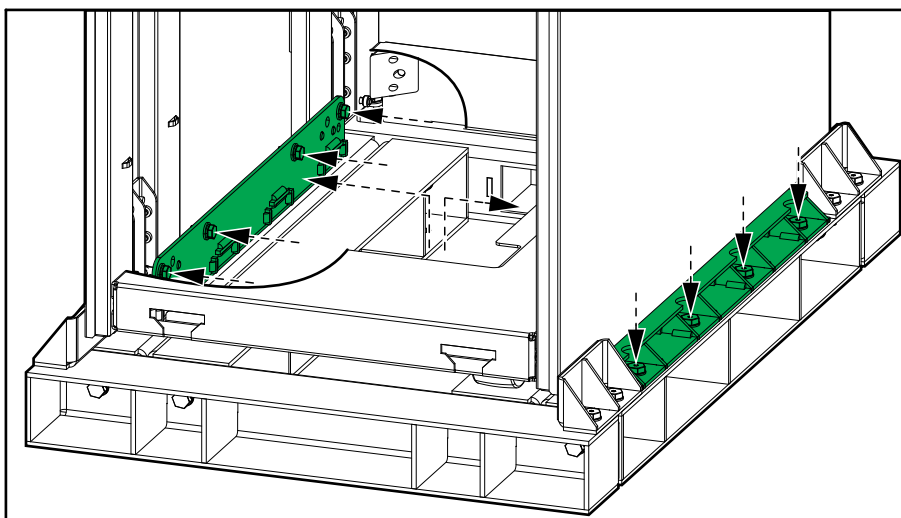
9. Mount the rear anchoring bracket from the kit on the modular battery cabinet.

Rear View

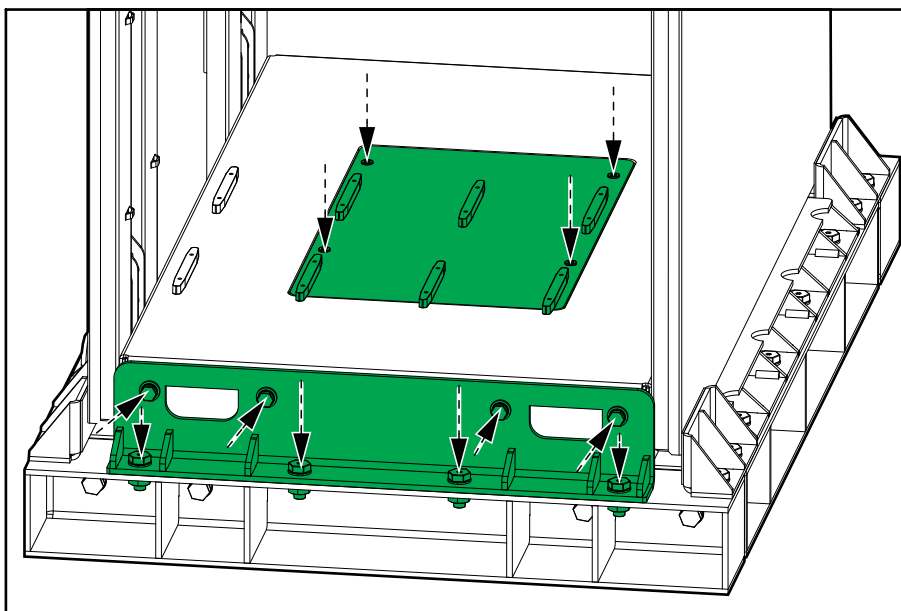


10. Wheel the modular battery cabinet up the ramp and onto the mounting skid assembly. Ensure that the rear anchoring bracket of the modular battery cabinet slides below the solid blocks at the rear of the mounting skid assembly.

11. Lift up the brackets placed inside the mounting skid assembly and slide them in between the mounting skid assembly and the bottom of the modular battery cabinet in both the left and right side. Fasten each bracket with four bolts to the inside of the modular battery cabinet and four bolts to the mounting skid assembly.



12. Install the front anchoring bracket and the plate in the bottom of the modular battery cabinet.



13. Reinstall the bottom shelf.
14. Follow the modular battery cabinet installation manual to complete the installation.
15. Reinstall the panels and covers on the modular battery cabinet.
16. When the installation has been completed, fasten the two indicated brackets to the front door.

