

# Odace - Connected Multiwire Universal Rotary Dimmer LED

## Wiser Home Device user guide

Information about features and functionality of the device.

05/2026



# Legal Information

The information provided in this document contains general descriptions, technical characteristics and/or recommendations related to products/solutions.

This document is not intended as a substitute for a detailed study or operational and site-specific development or schematic plan. It is not to be used for determining suitability or reliability of the products/solutions for specific user applications. It is the duty of any such user to perform or have any professional expert of its choice (integrator, specifier or the like) perform the appropriate and comprehensive risk analysis, evaluation and testing of the products/solutions with respect to the relevant specific application or use thereof.

The Schneider Electric brand and any trademarks of Schneider Electric and its subsidiaries referred to in this document are the property of Schneider Electric or its subsidiaries. All other brands may be trademarks of their respective owner.

This document and its content are protected under applicable copyright laws and provided for informative use only. No part of this document may be reproduced or transmitted in any form or by any means (electronic, mechanical, photocopying, recording, or otherwise), for any purpose, without the prior written permission of Schneider Electric.

Schneider Electric does not grant any right or license for commercial use of the document or its content, except for a non-exclusive and personal license to consult it on an "as is" basis.

Electrical equipment should be installed, operated, serviced, and maintained only by qualified personnel. No responsibility is assumed by Schneider Electric for any consequences arising out of the use of this material.

Schneider Electric reserves the right to make changes or updates with respect to or in the content of this document or the format thereof, at any time without notice.

**To the extent permitted by applicable law, no responsibility or liability is assumed by Schneider Electric and its subsidiaries for any errors or omissions in the informational content of this document, as well as any non-intended use or misuse of the content thereof.**

---

# Table of Contents

Table of Contents .....	3
Safety Information.....	4
About the Document.....	5
Odace - Connected Multiwire Universal Rotary Dimmer LED .....	8
About the device.....	8
Installing the device .....	8
Quick Home Connect.....	9
Pairing Wireless Switch with Rotary Dimmer .....	10
Using the Wireless switch in Quick Home Connect .....	10
Resetting the Device in Quick Home Connect .....	10
LED Indications in Quick Home Connect.....	11
Troubleshooting in Quick Home Connect .....	11
Pairing the device with the Wiser Hub .....	12
Configuring the device .....	16
Setting the device location .....	18
Setting up the LED Indicator Behaviour .....	19
Setting up the Power On Behaviour.....	20
Using the device.....	21
Switching/Dimming the device manually .....	21
Adjusting the brightness level using app .....	23
Turning On/Off device using app .....	23
Schedule.....	24
Moments.....	26
Automation.....	30
Resetting the device .....	36
LED Indication.....	37
Troubleshooting .....	38
Technical Data .....	39

# Safety Information

## Important Information

Read these instructions carefully and look at the equipment to become familiar with the device before trying to install, operate, service, or maintain it. The following special messages may appear throughout this manual or on the equipment to warn of potential hazards or to call attention to information that clarifies or simplifies a procedure.



The addition of either symbol to a “Danger” or “Warning” safety label indicates that an electrical hazard exists which will result in personal injury if the instructions are not followed.



This is the safety alert symbol. It is used to alert you to potential personal injury hazards. Obey all safety messages that accompany this symbol to avoid possible injury or death.

### **DANGER**

**DANGER** indicates a hazardous situation which, if not avoided, **will result in** death or serious injury.

**Failure to follow these instructions will result in death or serious injury.**

### **WARNING**

**WARNING** indicates a hazardous situation which, if not avoided, **could result in** death or serious injury.

### **CAUTION**

**CAUTION** indicates a hazardous situation which, if not avoided, **could result in** minor or moderate injury.

### **NOTICE**

NOTICE is used to address practices not related to physical injury.

# About the Document

## Document Scope

This document provides detailed information on the Odace - Connected Multiwire Universal Rotary Dimmer LED, covering its features, installation, configuration, and operation. It explains how to pair the device with the Wireless switch and Wiser Hub, use it manually or through the Wiser Home app, and customize functions such as brightness levels, LED indicator behaviour, power-on behaviour, scheduling, moments, and automation. It also includes troubleshooting tips, LED indications, resetting procedure, and technical specifications.

## Validity Note

The characteristics of the products described in this document are intended to match the characteristics that are available on [www.se.com](http://www.se.com). As part of our corporate strategy for constant improvement, we may revise the content over time to enhance clarity and accuracy. If you see a difference between the characteristics in this document and the characteristics on [www.se.com](http://www.se.com), consider [www.se.com](http://www.se.com) to contain the latest information.

## For your safety

<b>⚠ DANGER</b>
<b>HAZARD OF ELECTRIC SHOCK, EXPLOSION, OR ARC FLASH</b>
Safe electrical installation must be carried out only by skilled professionals. Skilled professionals must prove profound knowledge in the following areas:
<ul style="list-style-type: none"><li>- Connecting to installation networks.</li><li>- Connecting several electrical devices.</li><li>- Laying electric cables.</li><li>- Safety standards, local wiring rules and regulations.</li></ul>
<b>Failure to follow these instructions will result in death or serious injury.</b>

<b>⚠ DANGER</b>
<b>HAZARD OF ELECTRIC SHOCK, EXPLOSION, OR ARC FLASH</b>
The output may carry electric current even when the load is switched Off.
Disconnect the device from the supply by switching Off the upstream circuit breaker before working on the device or on the load.
<b>Failure to follow these instructions will result in death or serious injury.</b>

<b>NOTICE</b>
<b>HAZARD OF EQUIPMENT DAMAGE</b>
<ul style="list-style-type: none"><li>- Only connect dimmable load.</li><li>- Ensure that the device is disconnected from its circuit during the insulation resistance test.</li></ul>
<b>Failure to follow these instructions can result in equipment damage.</b>

## General Cybersecurity Information

In recent years, the growing number of networked machines and production plants has seen a corresponding increase in the potential for cyber threats, such as unauthorized access, data breaches, and operational disruptions. You must, therefore, consider all possible cybersecurity measures to help protect assets and systems against such threats.

To help keep your Schneider Electric products secure and protected, it is in your best interest to implement the cybersecurity best practices as described in the [Cybersecurity Best Practices](#) document.

Schneider Electric provides additional information and assistance:

- [Subscribe to the Schneider Electric security newsletter.](#)
- [Visit the Cybersecurity Support Portal web page to:](#)
  - [Find Security Notifications.](#)
  - [Report vulnerabilities and incidents.](#)
- [Visit the Schneider Electric Cybersecurity and Data Protection Posture web page to:](#)
  - [Access the cybersecurity posture.](#)
  - [Learn more about cybersecurity in the cybersecurity academy.](#)
  - [Explore the cybersecurity services from Schneider Electric.](#)

## Environmental Data

Find and download comprehensive environmental data about your products, including RoHS compliance and REACH declarations as well as Product Environmental Profile (PEP), End-of-Life instructions (EOLI) and much more.

<https://www.se.com/myschneider>



### **General information about Schneider Environmental Data Program**

Click the link below to read about Schneider Electric's Environmental Data Program.

<https://www.se.com/ww/en/about-us/sustainability/environmental-data-program/>



## Declaration of Conformity

Hereby, Schneider Electric Industries SAS, declares that this product is in compliance with the essential requirements and other relevant provisions of RADIO EQUIPMENT DIRECTIVE 2014/53/EU.

Declaration of conformity can be downloaded on:

- <https://www.go2se.com/ref=S920513>

## Available Languages of the Document

The document is available in these languages:

- English
- French

## Information on Non-Inclusive or Insensitive Terminology

As a responsible, inclusive company, Schneider Electric is constantly updating its communications and products that contain non-inclusive or insensitive terminology. However, despite these efforts, our content may still contain terms that are deemed inappropriate by some customers.

## Trademarks

- Wiser™ is a trademark and the property of Schneider Electric, its subsidiaries and affiliated companies.
- Zigbee® is a registered trademark of the Connectivity Standards Alliance.
- Apple® and App Store® are brand names or registered trademarks of Apple Inc.
- Google Play™ Store and Android™ are brand names or registered trademarks of Google Inc.
- Wi-Fi® is a registered trademark of Wi-Fi Alliance®.
- Amazon Alexa™ is a trademark of AMAZON TECHNOLOGIES, INC.
- Google Home™ is a trademark of Google INC.
- QR Code is a registered trademark of DENSO WAVE INCORPORATED in Japan and other countries.

Other brands and registered trademarks are the property of their respective owners.

# Odace - Connected Multiwire Universal Rotary Dimmer LED



S920513  
S940513

## About the device

The Connected Multiwire Universal Rotary Dimmer LED (hereinafter referred to as **dimmer**) has a rotary knob that can be used to switch and dim ohmic, inductive or capacitive loads manually or remotely.

## Control options

**Home control:** To control the dimmer through the Wiser Home app, you will need the **Wiser Hub**.

**Direct operation:** The dimmer can always be controlled directly on-site. You can also connect any number of mechanical push buttons.

**Room control / Quick Home Connect:** The dimmer can operate without the Wiser Hub or a smartphone application.

## Functions

- The device can detect the load automatically.
- The device has internal self-protection, including thermal protection, overload resistance, short-circuit protection, soft start, and soft stop.

## Installing the device

Refer to the installation instructions supplied with this product.

## Quick Home Connect

Quick Home Connect is a wireless connectivity solution for Zigbee devices without the need for a Hub or smartphone application. Quick Home Connect is your starting point for wireless home automation. It performs functions like switching, dimming and shutter control using the Connected Wireless Switch (hereinafter referred to as Wireless switch) via a Zigbee network.

The **Wireless switch** is a battery-powered wireless push-button switch that is used to control Zigbee devices (such as dimmer, shutter, switch, and socket) within the same Zigbee network.

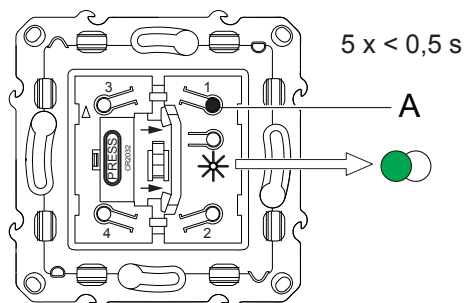
## Limitations

- Quick Home Connect serves only as a room control solution.
- With a 1-gang Wireless switch, you cannot mix lighting and shutter control. However, with a 2-gang Wireless switch, you can assign one gang for dimming/switching and the other for shutter control, or vice versa.
- This solution does not support remote control, smartphone app usage, or scheduling features.

## Pairing Wireless Switch with Rotary Dimmer

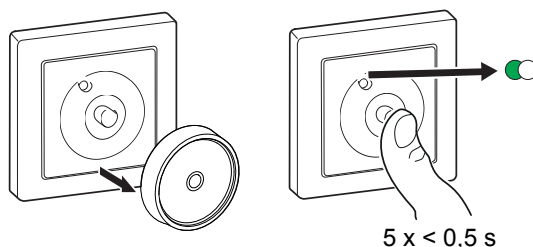
1. Remove the rocker from the Wireless switch and short press the upper push button (A) 5 times in quick succession.

The status LED blinks green.



2. Remove the knob from the Rotary Dimmer and short press the push button 5 times in quick succession.

The status LED blinks green.



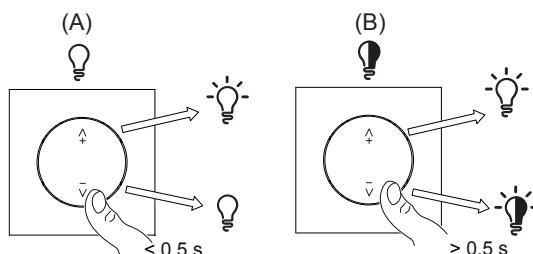
The light connected to the Rotary Dimmer blinks for a few times. The status LED stops blinking green on the Wireless switch and the Rotary Dimmer. The Rotary Dimmer can now be controlled by the Wireless switch.

## Using the Wireless switch in Quick Home Connect

### Operating a Dimmer

You can switch the dimmer ON/OFF and adjust its brightness using the paired Wireless switch.

- Short press the top ( $\wedge$ +) or bottom ( $\vee$ -) of the Wireless switch ( $< 0,5\text{ s}$ ) to turn ON/OFF the connected load (A).
- Long press the top ( $\wedge$ +) or bottom ( $\vee$ -) of the Wireless switch ( $> 0,5\text{ s}$ ) to increase or decrease the brightness of the connected load (B).



## Resetting the Device in Quick Home Connect

It is necessary to reset the devices in the following scenarios:

- Unpair the device in Quick Home Connect:



- Refer to
  - Resetting the Wireless switch
  - Resetting the Rotary dimmer

When reset is done successfully. The Wireless switch and device returns to factory default.

- Integrating into Wiser System
  - If you wish to integrate the devices into Wiser System, reset all the devices in Quick Home Connect and refer to pairing the device with Wiser Hub/Gateway.

## LED Indications in Quick Home Connect

### Pairing the device in Quick Home Connect

User Action	LED Indication	Status
Press the push button 5 times in quick succession.	LED blinks green, once per second. 	Pairing mode is active for 60 seconds. When pairing is completed, LED stops blinking. 

## Troubleshooting in Quick Home Connect




Symptom	Possible cause	Solution
LED displays amber on the device.	Pairing not completed and returned to factory default.	Pair the Wireless switch and the device again. Refer to <ul style="list-style-type: none"> <li>• Rotary dimmer, page 10</li> </ul>
Wireless switch not able to control the device reliably.	The Wireless switch and the device are too far away from each other.	Place the Wireless switch in a position closer to the device.
	The Wireless switch lost pairing.	Pair the device again. Refer to <ul style="list-style-type: none"> <li>• Rotary dimmer, page 10</li> </ul>
	The Wireless switch battery is discharged.	Replace the battery of the Wireless switch



Scenario	Procedure
Control multiple devices with one Wireless switch.	To control multiple devices with a single Wireless switch, start by pairing it with one device. Then, use the same Wireless switch to pair with additional devices. <b>NOTE:</b> You can pair up to 7 devices to a single Wireless switch.
1-gang Wireless switch with devices (relay switch, dimmer, shutter control, or socket outlet).	Pair the Wireless switch with any of the devices (relay switch, dimmer, shutter control, or socket outlet).
2-gang Wireless switch with devices (relay switch, dimmer, shutter control, or socket outlet).	Pair either left or right Wireless switch with any of the devices (relay switch, dimmer, shutter control, or socket outlet). You can also pair another rocker of the Wireless switch with another device.

## Pairing the device with the Wiser Hub

You can pair your dimmer with the **Wiser Hub** to access and control the dimmer.

**Pre-requisite:** The dimmer should be correctly wired and active.

1. On the **Home** screen, tap .
2. Tap **Devices** >  > **Lights** >  **Rotary**.

**TIP:** You can also navigate by tapping **Control** >  > **Lights** >  **Rotary**.

- Tap **Scan QR code** and allow the Wiser Home app to access your camera. Then, scan the QR code located on the device.

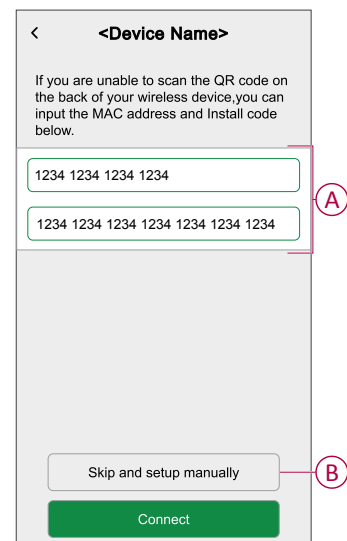
**IMPORTANT:**

- The QR code is located on the device and is not visible when it is mounted on the wall. It may be located behind the rotary knob or on the side of the insert. Refer to the installation instructions for removal and reinstallation of the device.
- If you are unable to find the correct QR code, tap **I can't find the correct QR code** to pair the device manually and proceed to step 4.

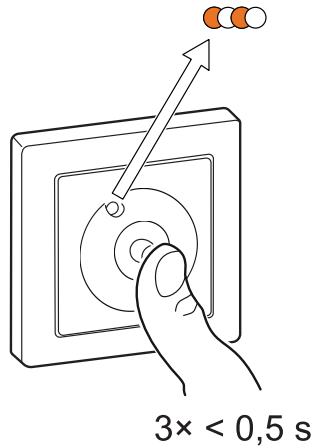


If the QR code is incorrect, a message **Incorrect QR code scanned** will appear. Tap **I can't scan the QR code** and choose one of the following options:

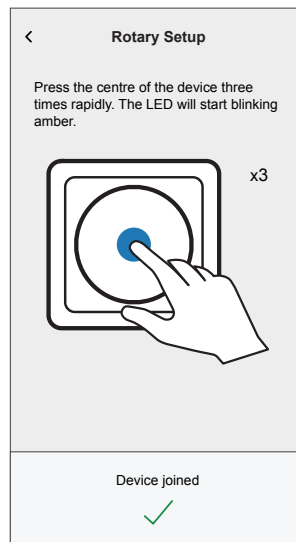
- (A):** Enter the MAC Address and Install Code, then tap **Connect**. The app will verify if the MAC address and Install code are valid.
- (B):** Tap this option if you are unable to find the MAC address and Install code.



4. Tap **Next**, remove the knob and short press the push button 3 times.  
The LED blinks amber.



Wait for a few seconds until the LED turns solid green. You can also see in the app that the device is joined.



**NOTE:** If the LED is blinking green and red, see the instructions by tapping the link **LED blinking green and red?**

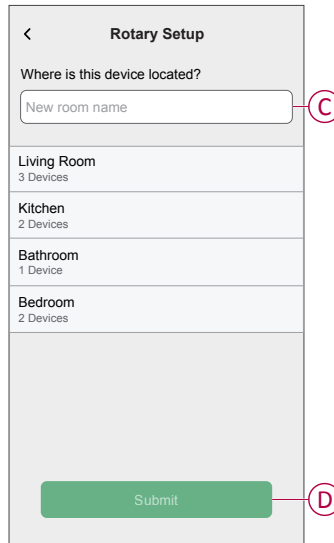
5. Enter the device name in the **Name** field and tap **Next**.

**NOTE:** The **Next** button will be enabled after entering a name in the name field.

6. Select the desired location of the device and tap **Submit** (D).

**TIP:** If you have not created any rooms, enter the room name in the Name (C) field.

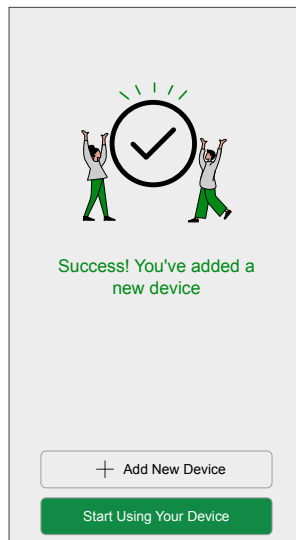
**NOTE:** The **Submit** (D) button will be enabled after selecting a desired location.



**IMPORTANT:** The next screen shows the **Device Settings** screen, where you can configure the device settings during the pairing process or later. If you prefer to configure it later, tap **Submit**. For more information on device settings, refer to the *Configuring the device*, page 16 section.

After you pair the device, a success screen appears with the following options:

- **+ Add New Device:** Tap to continue pairing more devices.
- **Start Using Your Device:** Tap to start using the paired device.




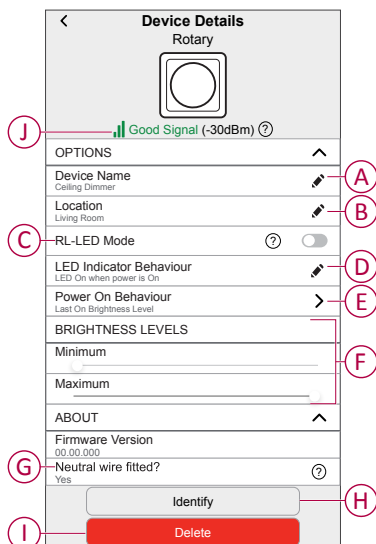
**NOTE:** The success screen appears only if you are logged in as a **Home Owner**.

Now, you can see the newly added dimmer on the **Control** tab under the **All** and **Room** tabs.





## Configuring the device

The **Device Details** screen allows you to configure the device settings according to your preferences.

1. On the **Home** screen, tap .
2. Tap **Devices > Lights > Dimmer** to locate to the **Device Details** screen.





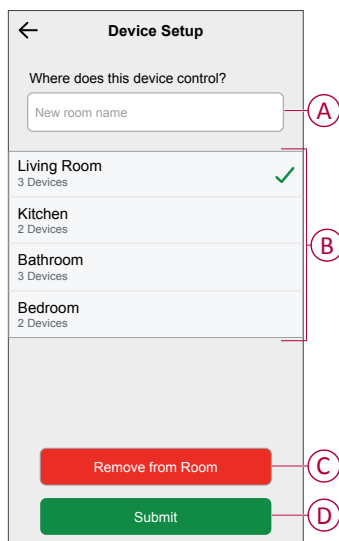
A	<b>Device Name:</b> Tap to change the name of the device.
B	<b>Location:</b> Tap to assign the dimmer to any room (such as living room, bedroom, kitchen etc). For more information, refer to <a href="#">Setting the device location</a> , page 18.
C	<b>RL-LED Mode:</b> You can improve the dimming quality in the app if you have problems with light flickering. Tap the toggle switch to enable the <b>RL-LED Mode</b> . <b>TIP:</b> For more information, refer to <a href="#">Technical Data</a> , page 39.
D	<b>LED Indicator Behaviour:</b> Tap to set the LED indicator behaviour of the dimmer as per your preference. Refer to <a href="#">Setting up the LED Indicator Behaviour</a> , page 19 for detailed information on each options.
E	<b>Power On Behaviour:</b> Tap to set the default brightness level of the dimmer when it is turned on. Refer to <a href="#">Setting up the Power On Behaviour</a> , page 20 for detailed information on each options.
F	<b>Minimum Brightness and Maximum Brightness:</b> This setting allows you to set limits on the maximum and minimum brightness of the connected load. This is done to avoid flickering and switching off the LED. Drag the slider bar to increase or decrease the <b>Minimum Brightness</b> and <b>Maximum Brightness</b> . <b>IMPORTANT:</b> If the light does not begin to brighten up from 0%, adjust the minimum level setpoint to the point where the light actually starts to brighten. Similarly, for maximum brightness, set the maximum level based on the behaviour of the connected light. For example, if brightness does not increase between 80% and 100%, then set the maximum level to 80%. <b>NOTE:</b> The minimum brightness must be lower than the maximum brightness.
G	<b>Neutral wire fitted?:</b> You can check if the neutral wire is connected during the device installation. The <b>Wiser Home</b> app automatically detects the wiring mode based on the installation, eliminating the need for manual selection. <ul style="list-style-type: none"> <li>• <b>Yes:</b> Installed with a neutral wire.</li> <li>• <b>No:</b> Installed without a neutral wire.</li> </ul>
H	<b>Identify:</b> Tap to identify the device. The status LED blinks red and connected lighting devices blinks on/off, upon successful identification of the dimmer. Tap <b>OK</b> when you finish identifying the device.

<p><b>I</b></p>	<p><b>Delete:</b> Tap to remove the device from the system.</p> <p><b>NOTE:</b></p> <ul style="list-style-type: none"> <li>• Removing the device will also reset the dimmer. After reset, the LED turns amber indicating that the dimmer is ready for pairing.</li> <li>• If there is a problem while pairing or resetting the dimmer, refer to <a href="#">Resetting the device</a>, page 36.</li> </ul>
<p><b>J</b></p>	<p><b>Zigbee Signal Strength Indicator:</b> Zigbee Signal Strength indicator which displays the current signal strength of the device.</p> <ul style="list-style-type: none"> <li>•  Good Signal (between 0 &amp; -54dBm)</li> <li>•  Normal Signal (between -54 &amp; -79dBm)</li> <li>•  Poor Signal (&lt;-79dBm)</li> <li>•  No Signal (device is offline)</li> </ul>

## Setting the device location

You can add your device to any room (such as bedroom, living room, dining room etc.).

1. On the **Home** screen, tap .
2. Tap **Devices**, select the device from the list for which you wish to change the location.
3. Tap **Location**  to open setup screen.
4. On the **Device Setup** screen, you can enter **New room name** (A) or select an existing room from the list (B).




**TIP:** If the device is already assigned, you can remove it from the existing room. Tap **Remove from Room** (C).

5. Once changes are done, tap **Submit** (D).

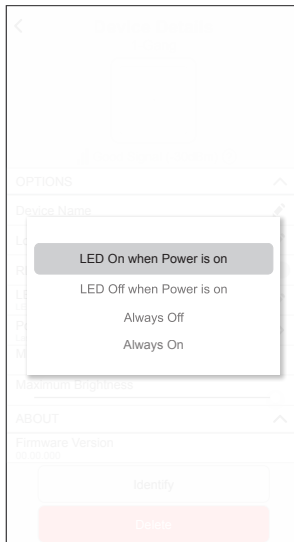
## Setting up the LED Indicator Behaviour

You can set the behaviour of the LED indicator on your device to identify the device status.

1. On the **Home** screen, tap .
2. Tap **Devices > Lights**.
3. Select the device you want to update and tap **LED Indicator Behaviour**.

**NOTE:** If you are unable to find this option in your app, reset the device to factory default and perform the pairing process.


4. Select one of the following options as per your preference.



<b>LED On when Power is On</b>	The LED turns on when the device is on.
<b>LED Off when Power is On</b>	The LED turns off when the device is on.
<b>Always Off</b>	The LED stays off all the time.
<b>Always On</b>	The LED stays on all the time.

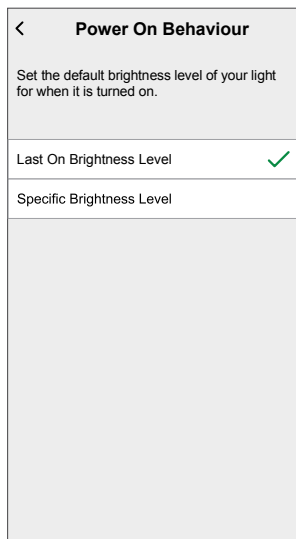
## Setting up the Power On Behaviour

You can set the brightness level of your device when turned on.

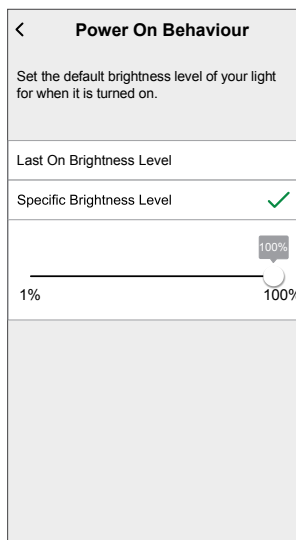
1. On the **Home** screen, tap .
2. Tap **Devices > Lights**.
3. Select the device you want to update and tap **Power On Behaviour**.
 

**NOTE:** If you are unable to find this option in your app, reset the device to factory default and perform the pairing process.
4. Select one of the following options as per your preference:
 

**Last On Brightness Level:** The light turns on at the same brightness as when it was last turned off.



**Specific Brightness Level:** This option allows you to get the desired brightness level every time you turn on the light. Drag the slider bar to set the brightness.

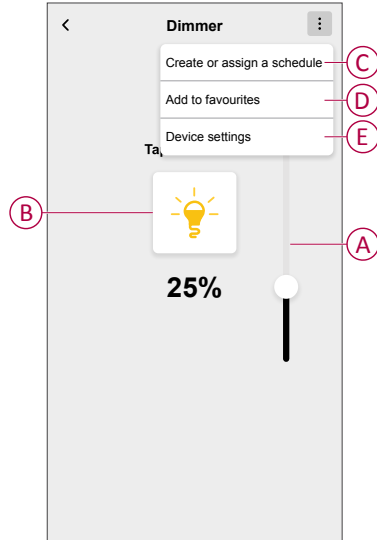


## Using the device

The Device Control Screen allows you to switch on/off, adjust the brightness level and control various settings.

On the **Control** tab, select the dimmer.

The Device Control Screen displays the following options:

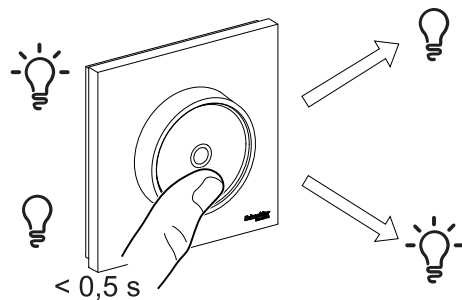


<b>A</b>	Drag the slider bar up/down to increase/decrease the brightness of your dimmer. For more information, refer to <i>Adjusting the brightness</i> , page 23.
<b>B</b>	Tap to turn the device on/off.
<b>C</b>	Tap to open the <b>Schedule</b> screen, where you can create a schedule. For more information, refer to <i>Setting up a schedule</i> , page 24.
<b>D</b>	Tap to add the device to the <b>Favourite devices</b> section on the <b>Home</b> screen. To know more about <b>Favourite</b> , refer to <i>Managing Favourites</i> in the respective System User Guide.
<b>E</b>	Tap to open the <b>Device Settings</b> screen and configure the settings. For more information, refer to <i>Configuring the device</i> , page 16.

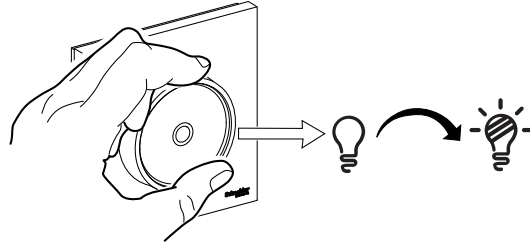
## Switching/Dimming the device manually

You can manually turn on/off the dimmer and increase/decrease brightness level. This will provide power to the load connected to it.

Short press the push button (< 0,5 s) once to switch on/off the dimmer.




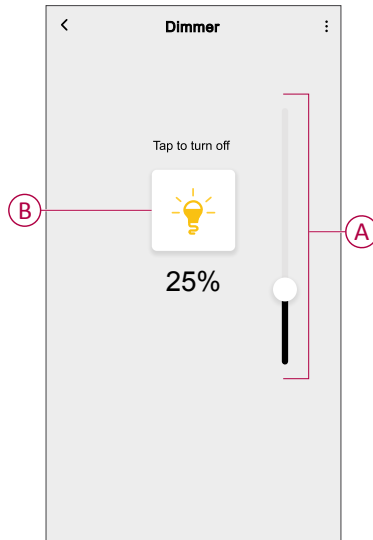
To increase brightness, turn the dimmer knob clockwise, and to decrease brightness, turn it anti-clockwise.




## Adjusting the brightness level using app

1. On the **Control** tab, tap **All** devices or the room tab where the dimmer is located.
2. On the Device Control Screen, drag the slider bar up/down to increase/decrease the brightness (A).

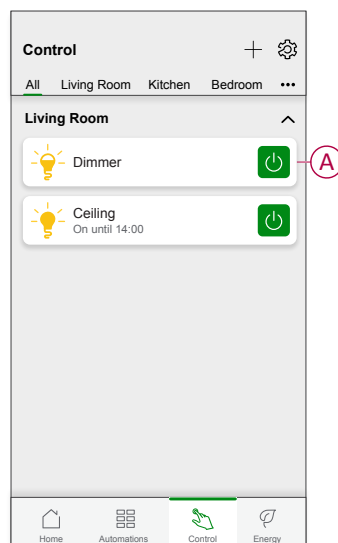
**TIP:** Tap  (B) on the Device Control Screen to turn the dimmer on/off.



## Turning On/Off device using app

1. On the **Control** tab, tap **All** devices or the room tab where the dimmer is located.
2. Tap  (A) to turn on/off dimmer.

**TIP:** You can also turn the device on/off and adjust the brightness from the **Home** screen when you add it to your **Favourite**.



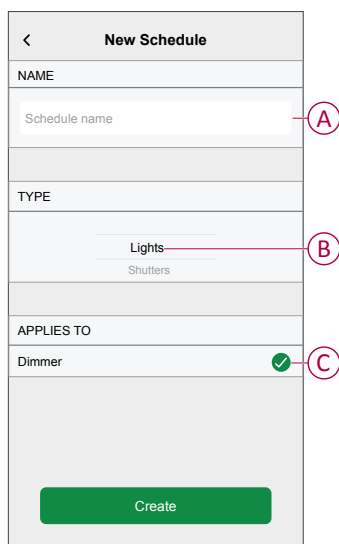
## Schedule


You can set up schedules to specify the times at which a state of the device changes.

### Setting up a schedule



The dimmer can be fully controlled by a schedule. Once the schedule is set, the dimmer operates at a given time.

1. On the **Home** screen, tap .
2. Go to **Schedules** >  to create a schedule.
3. Enter the name of the schedule (A).
4. In the **TYPE** menu, select **Lights** (B).
5. In the **APPLIES TO** menu, select **Dimmer** (C) from the listed devices.
6. Tap **Create** to setup events.




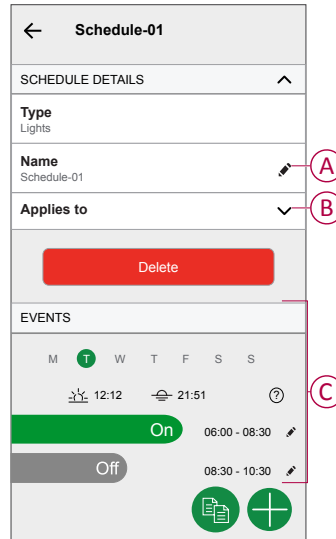
7. Under **EVENTS** menu, select a day and then tap  to add an event such as **STATE** (lights Off or dimming level in %) and **WHEN** (sunrise/sunset or specific time range).
8. Tap **Set** to save the schedule.

#### TIP:


- You can add multiple schedules based on your requirement. Select days, tap , set ON/OFF state and time.
- You can copy the existing schedule to another schedule or to the days of your choice. Tap .
  - Tap **Schedule** and select an existing schedule and tap **Copy**.
  - Tap **Day** and select the days you want to assign and tap **Copy**.
- When the schedule begins, you can see the **until time** in the following screens:
  - Device Control Screen.
  - Control tab under the device name.
  - Favourite devices section on the home screen.

## Editing a schedule


1. On the **Home** screen, tap **Automations**  > **Schedules**.
2. Tap the schedule you want to edit.
3. Tap the **SCHEDULE DETAILS** and you can do the following actions:
  - Rename the schedule (A).
  - Within the **Applies to** (B) menu, you have the option to select from the listed devices or deselect those that are already selected.



**NOTE:** When the above changes are edited, the schedule is saved automatically.

4. Under the **EVENTS** (C) menu, you can do the following actions:
  - Tap  to update an event, such as **STATE** (lights Off or dimming level in %), **WHEN** (sunrise/sunset or a specific time range), and you can also delete an event.
  - Tap **Set** to save the schedule.




## Deleting a schedule

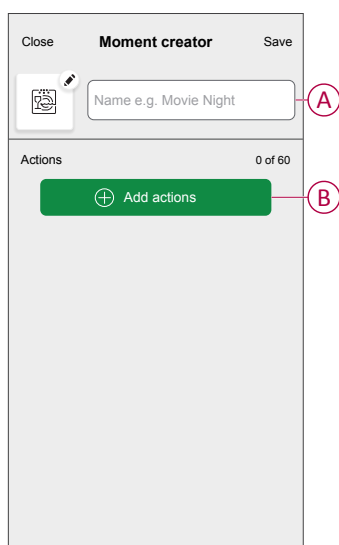
1. On the **Home** screen, tap **Automations**  > **Schedules**.
2. Tap the schedule you want to delete.
3. Tap **SCHEDULE DETAILS**, tap **Delete**, and then select **OK**.

## Moments

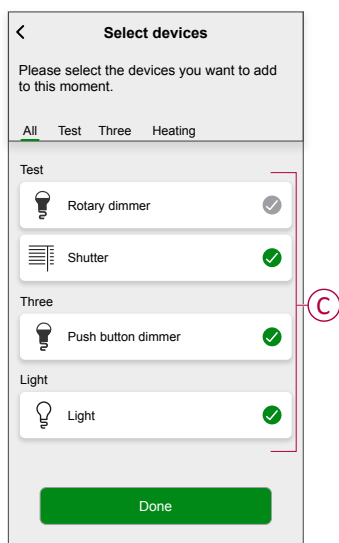
Moment allows you to change the state of multiple devices with a single tap. Moments act like scenes, allowing you to control several devices all at the same time.

### Creating a moment

1. On the **Home** screen, tap .
2. Go to **Moments** and then tap  to create a moment.
3. Enter the name of the moment (A).  
**TIP:** You can choose the cover image that represents your moment by tapping .
4. Tap **Add actions** (B) to select the list of devices.

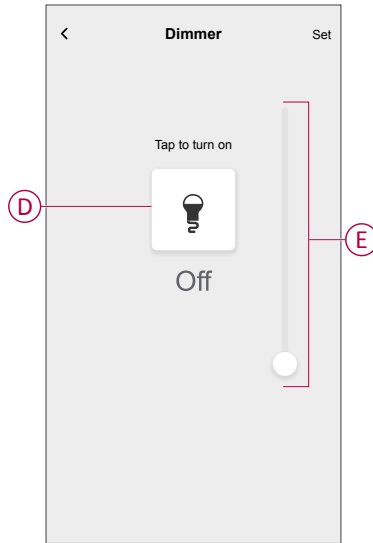


5. In the **Add actions** menu, you can select the devices (C).




6. Once the device are selected, tap **Done**.

7. On the **Moment creator** screen, tap the device to set the condition. For example if it is a dimmer:
  - Tap to turn on (D).
  - Drag the slider bar up/down to increase/decrease the brightness (E) and tap **Set** on the top-right screen.





8. After setting all conditions, tap **Save**.  
Once the moment is saved, it will appear on the **Moments** tab. Tap on the moment to enable it.




**TIP:**

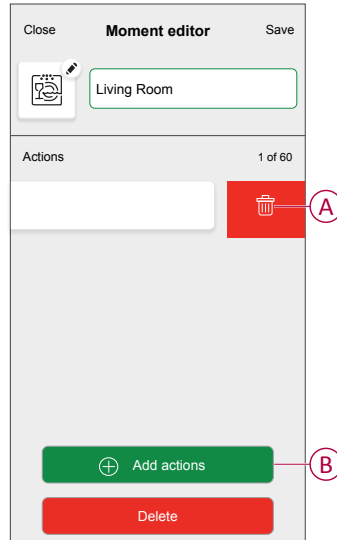
- If you want to see the created moments on the **Home** screen, go to **Home** >  > **Home Screen** > **Moments** and enable the **Moments** toggle switch.
- You can also rearrange the moments by tapping **Edit** from the Moments tab on the Home screen, or by tapping **Automation** > **Moments** > **Reorder**.

## Editing a moment

1. On the **Home** screen, tap **Automations** .
2. Go to **Moments**, locate the moment you want to edit and tap .



3. On the **Moment editor** screen, you can perform following changes:

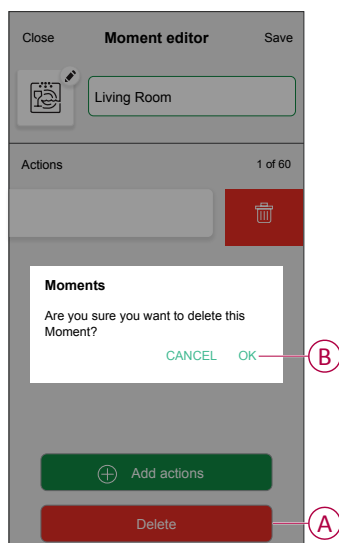
- Change the image for the moment .
- Rename the moment.
- Tap each action to change the settings.
  - To remove an action, slide the action to the left and then tap  (A) to delete it.
  - Tap  **Add actions** (B) to add new action.



4. Tap **Save** to save the changes.

## Deleting a moment



1. On the **Home** screen, tap **Automations** .
2. Go to **Moments**, locate the moment you want to delete and tap .
3. On the **Moment editor** screen, tap **Delete** (A) and then tap **OK** (B).




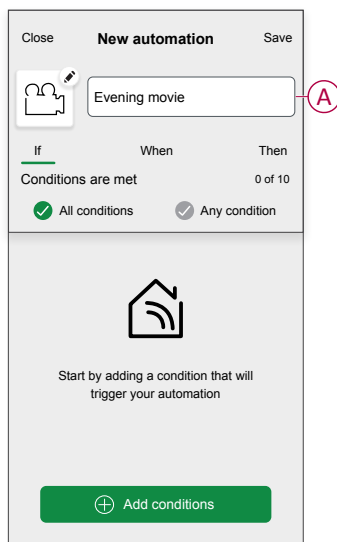
## Automation

An automation allows you to trigger an action automatically or at scheduled times when certain conditions are met. By using the Wiser Home app, you can create automations based on your needs. This example demonstrates how a device works when the condition is met.

### Creating an automation

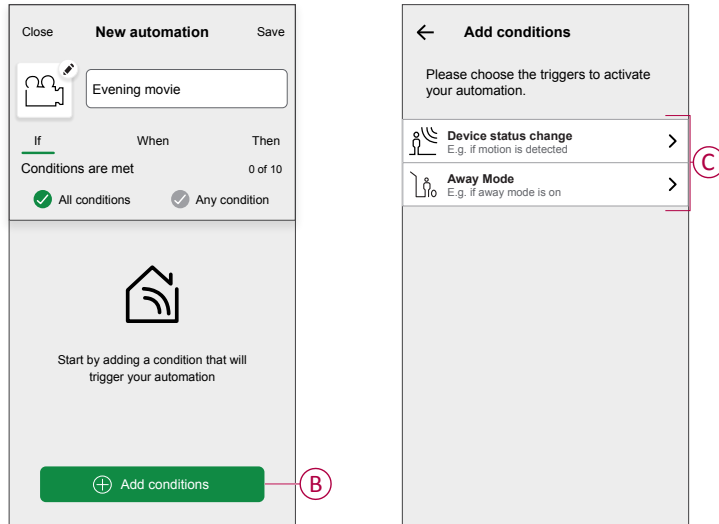
1. On the **Home** screen, tap .
2. Go to **Automation** and then tap  to create an automation.
3. Enter the name of the automation (A) and select any of the following conditions to trigger an automation.
  - **All conditions:** All conditions must be met to trigger an automation.
  - **Any condition:** Any one of the condition must be met to trigger an automation.

**TIP:** You can choose the cover image that represents your automation by tapping .

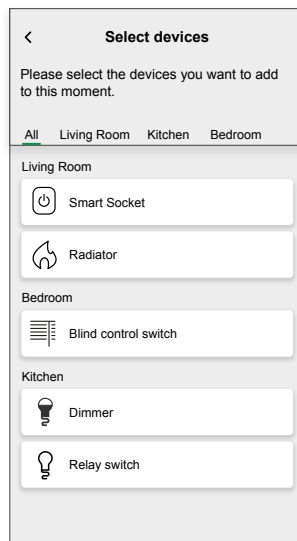


4. Tap **Add conditions** (B) and select any of the following (C).
  - **Device status change** (Select the device): An automation will be triggered based on a device status, such as the opening of a shutter or the detection of movement by a motion sensor.
  - **Away Mode** (Enable or Disable): Away mode can also trigger an automation to turn on the lights, close the shutter etc. Refer to the **Away Mode** topic in the respective System User Guide.

**NOTE:** Maximum 10 conditions can be added.



- a. In this example, we will select **Device status change** and choose a device to set the condition. Then, we will select the state of the device that will trigger the automation, such as the closed state of a blind control switch.



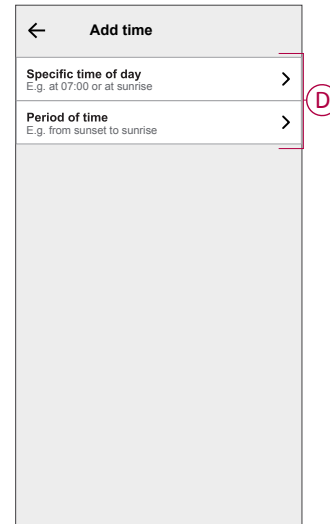
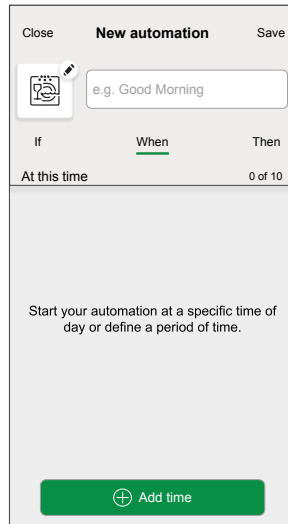
- b. After selecting the device, tap **Set** on the top-right screen.

**TIP:** If you want to change the condition, swipe it to the left and tap the bin icon. Then add a new condition with the required parameters.

5. To start your automation at a particular time, tap **When > Add time** and select any of the following (D):

**NOTE:** Maximum 10 time entries can be added.

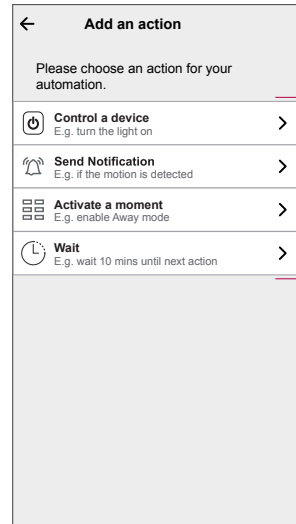
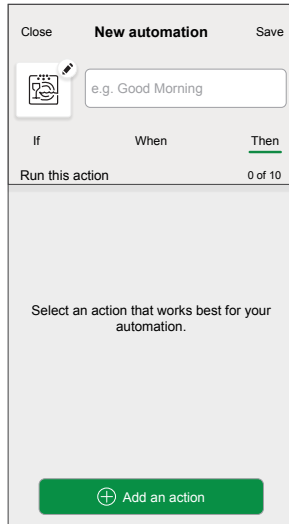
- **Specific time of day** - The automation will trigger at a specific time of the day, such as at sunrise, sunset, or at 8:00 AM.
- **Period of time** - The automation will be trigger during time periods such as from sunrise to sunset, or sunset to sunrise, or from 8:00 AM to 5:00 PM.



6. To add an action, tap **Then > Add an action** and select any of the following (E):

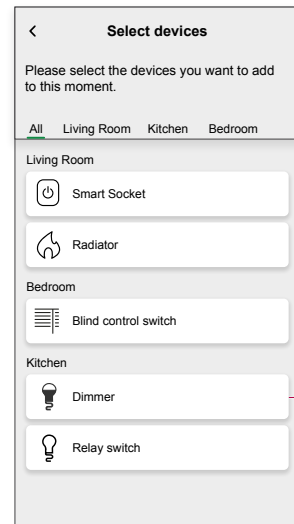
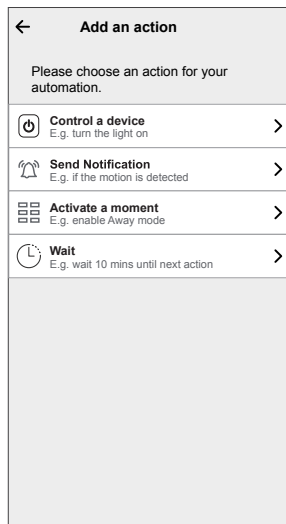
**NOTE:** Maximum 10 actions can be added.

- **Control a device** - Select the device and set the desired state of the device.
- **Send notification** - You will be notified if the condition is met.
- **Activate a moment** - Select a Moment to activate during the automation.
- **Wait** - This option allows you to add a delay in an automation sequence. You can set the wait time in increments of 1 hour and 1 minute, up to a maximum of 24 hours. This feature is useful for delaying actions within an automation.

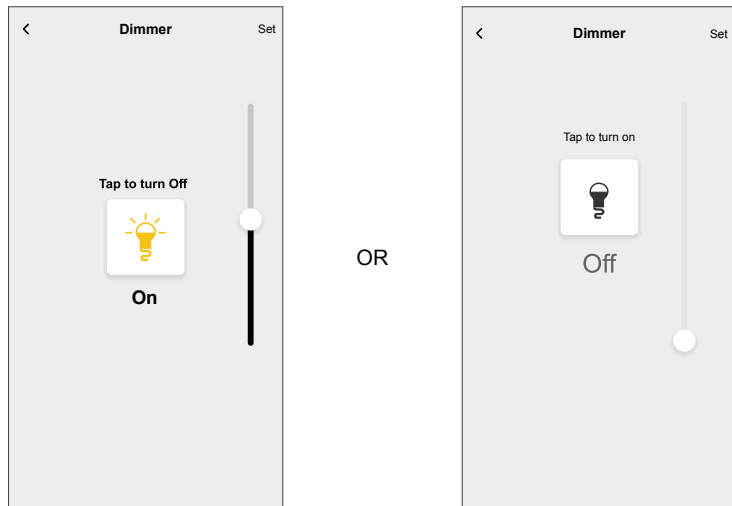


a. In this example, we will select **Control a device**, choose **Dimmer (F)** as the device to trigger an action, and then add a delay using **Wait** option.

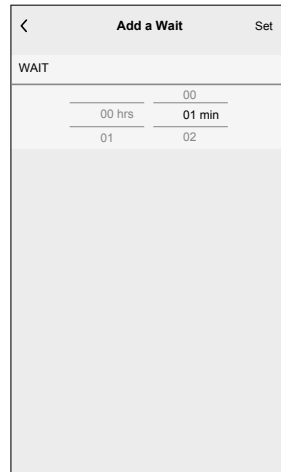
**IMPORTANT:** You cannot select the same device that you selected for **Add conditions** in Step 4. The device should be different.



b. Set the state, such as increase/decrease the dimmer brightness or switching the dimmer on/off. Then, tap **Set** on the top-right screen.

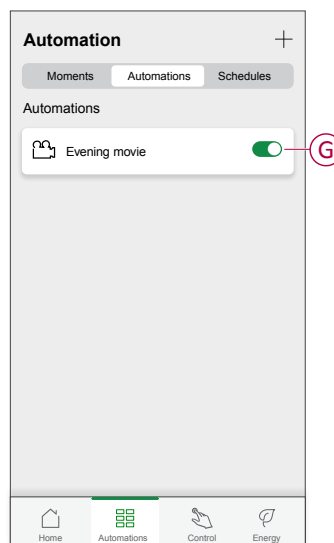


- c. Again, tap **Add an action** and select **Wait** option.
- d. Scroll through the minutes and set the wait time to 1 minute. Then, tap **Set** on the top-right screen.






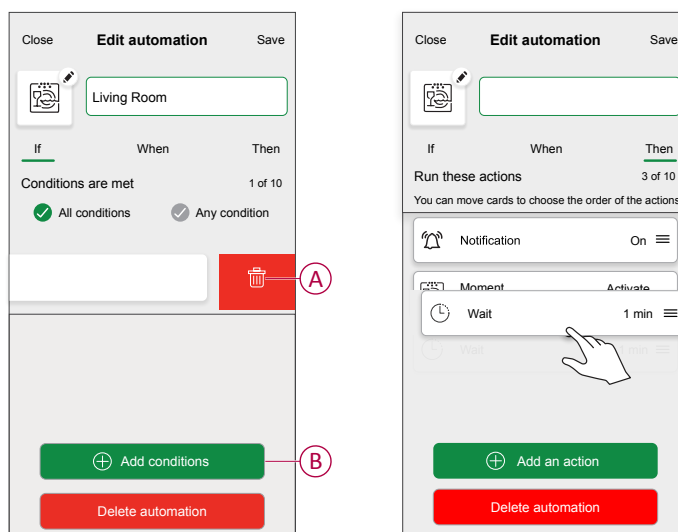
7. Tap **Save**.

The saved Automation is displayed on the **Automation** screen. Tap the toggle switch (G) on the Automation screen to enable/disable the Automation.



## Editing an automation

1. On the **Home** screen, tap **Automations** .
2. Go to **Automation**, tap the automation you want to edit.
3. On the **Edit automation** screen, you can perform the following changes:
  - Change the image of the automation .
  - Rename the automation.
  - Tap each condition to change the settings.
    - To remove a condition, slide the condition towards left and then tap  (A) to delete it.
    - Tap **Add conditions** (B) to add new condition.
  - To change the order of actions, tap the **Then** option, and hold an action, then drag and drop to the desired position.

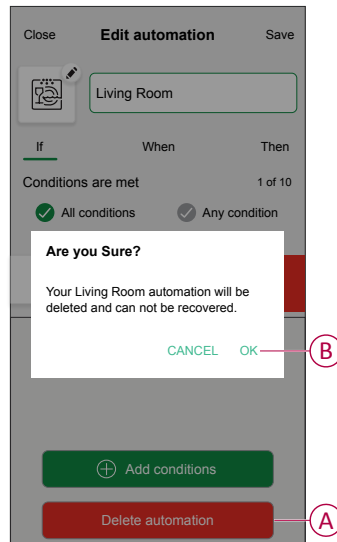


4. Tap **Save** to save the changes.

## Deleting an automation

1. On the **Home** screen, tap **Automations** .
2. Go to **Automation**, tap the automation you want to delete.

3. On the **Edit automation** screen, tap **Delete automation** (A) and read the confirmation message and then tap **OK** (B).

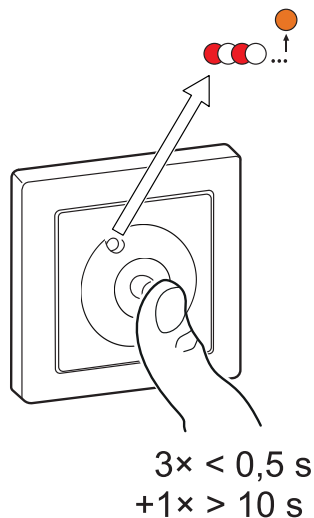


## Resetting the device

You can reset the dimmer to factory default manually.



- Remove the knob and short-press the push button 3 times ( $<0.5$  s) and then long-press the push button once ( $>10$  s).
- After 10 s, the LED starts blinking red and then release the push button.
- Upon successful reset, the LED stops blinking.
- The dimmer restarts and blinks green for a few seconds.

**NOTE:** After reset, the LED turns amber indicating that it is ready for pairing.





## LED Indication


### Pairing

User Action	LED Indication	Status
Press the push button 3 times.	LED blinks amber per second. 	Pairing mode is active for 30 seconds. When pairing is completed, LED glows green for some time before turning off. 


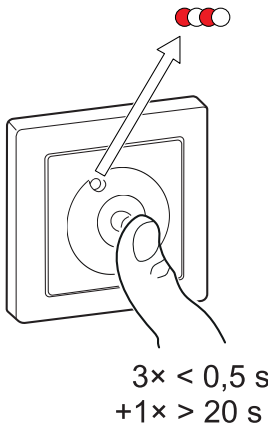
### Resetting

User Action	LED Indication	Status
Press the push button 3 times and hold it down once for > 10 s.	After 10 s, the LED blinks red. 	The device is in reset mode. It is reset to the factory settings after 10 seconds. The device then restarts and the LED blinks green for a few seconds and then stays amber. 





### Identifying the device

LED Indication	Status
The LED blinks red. 	The connected lighting devices blinks on/off, upon successful identification of the dimmer.

### Different connectivity mode

LED Indication	Status
The LED blinks green and red while pairing. 	The device is trying to connect to other connectivity mode. Short-press the push button 3 times and then hold for 20 seconds. When the LED blinks red rapidly, release the push button. 

### LED Indicator Mode/Backlight Mode

Load Status	ON	OFF
Reverse with load	No LED	
Consistent with load		No LED
Always Off	No LED	No LED
Always On		









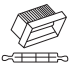





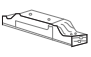


## Troubleshooting

Symptom	Solution
Dimming up is not possible.	<ul style="list-style-type: none"> <li>• Reduce/increase load.</li> <li>• Allow the dimmer to cool in case of overheating.</li> <li>• Change the load (if the load is incompatible with the dimmer).</li> </ul>
Switching on is not possible.	<ul style="list-style-type: none"> <li>• Allow the dimmer to cool in case of overheating.</li> <li>• Reduce load.</li> <li>• Change load.</li> <li>• Check wiring between the push button and the dimmer.</li> </ul>
Flickering at minimum brightness.	<ul style="list-style-type: none"> <li>• Increase minimum brightness (if flickering still persists, install a 31LCDA load correction device).</li> <li>• Change the load (if the minimum brightness is insufficient).</li> <li>• Set to RL LED mode, page 16.</li> </ul>
Flickering	<ul style="list-style-type: none"> <li>• Change load.</li> <li>• Set to RL LED mode, page 16.</li> </ul>
Only slight dimming capability	<ul style="list-style-type: none"> <li>• Change dimming range.</li> <li>• Change the load (if the load is incompatible with the dimmer).</li> <li>• Set to RL LED mode, page 16.</li> </ul>
The device is not ready to pair after the device is removed from the app.	Reset to factory default settings, refer to resetting the device, page 36.

**TIP:** See also LED Indications, page 37 – Understanding LED status and corresponding corrective actions.

## Technical Data

### Nominal power

Load type	Load name	Load value	
		2 wire (without neutral)	3 wire (with neutral)
	LED	7–130 W (max. 0,8 A)  RC 7–80 W (max. 0,5 A)  RL	0–130 W (max. 0,8 A)  RC 0–80 W (max. 0,5 A)  RL
	Incandescent lamp	14–200 W  R	0–200 W  R
	Halogen lamp	14–150 W  R	0–150 W  R
	Iron core transformer	14–150 VA  RL	0–150 VA  RL
	Electronic step-down converter	14–150 VA  RC	0–150 VA  RC

<b>Nominal voltage</b>	AC 230 V ~, 50 Hz
<b>Standby</b>	Max 0.4 W
<b>Connecting terminals</b>	Screw terminals for max. 2 x 2.5 mm <sup>2</sup> , 0,5 Nm
<b>Neutral conductor</b>	Recommended
<b>Ambient temperature</b>	5 to 25 °C (temporarily up to 35 °C)
<b>Storage temperature</b>	-25 °C to 70 °C
<b>Transport temperature</b>	-25 °C to 70 °C
<b>Extension unit</b>	Single push-button, unlimited number, max. 50 m
<b>External fuse protection</b>	16 A circuit breaker
<b>Internal device self-protection</b>	Thermal protection Overload-resistant Short-circuit protection
<b>Operating frequency</b>	2405 - 2480 MHz
<b>Max. Radio-frequency power transmitted</b>	< 10 mW
<b>Communication protocol</b>	Zigbee 3.0 certified

Schneider Electric  
35 rue Joseph Monier  
92500 Rueil Malmaison  
France

+ 33 (0) 1 41 29 70 00

[www.se.com](http://www.se.com)

As standards, specifications, and design change from time to time, please ask for confirmation of the information given in this publication.

© 2025 – 2026 Schneider Electric. All rights reserved.

DUG\_Odace Multiwire Rotary Dimmer\_WH-03