

# Ovalis - Connected Wireless Switch 1-gang/ 2-gang

## Device user guide

Information about features and functionality of the device.

03/2025



# Legal Information

The information provided in this document contains general descriptions, technical characteristics and/or recommendations related to products/solutions.

This document is not intended as a substitute for a detailed study or operational and site-specific development or schematic plan. It is not to be used for determining suitability or reliability of the products/solutions for specific user applications. It is the duty of any such user to perform or have any professional expert of its choice (integrator, specifier or the like) perform the appropriate and comprehensive risk analysis, evaluation and testing of the products/solutions with respect to the relevant specific application or use thereof.

The Schneider Electric brand and any trademarks of Schneider Electric SE and its subsidiaries referred to in this document are the property of Schneider Electric SE or its subsidiaries. All other brands may be trademarks of their respective owner.

This document and its content are protected under applicable copyright laws and provided for informative use only. No part of this document may be reproduced or transmitted in any form or by any means (electronic, mechanical, photocopying, recording, or otherwise), for any purpose, without the prior written permission of Schneider Electric.

Schneider Electric does not grant any right or license for commercial use of the document or its content, except for a non-exclusive and personal license to consult it on an "as is" basis.

Schneider Electric reserves the right to make changes or updates with respect to or in the content of this document or the format thereof, at any time without notice.

**To the extent permitted by applicable law, no responsibility or liability is assumed by Schneider Electric and its subsidiaries for any errors or omissions in the informational content of this document, as well as any non-intended use or misuse of the content thereof.**

---

# Table of Contents

Safety Information.....	4
Ovalis - Connected Wireless Switch 1-gang/2-gang .....	5
For your safety .....	5
About the device.....	6
Installing the device .....	6
Switching from 1-gang to 2-gang operation.....	6
Quick Home Connect.....	8
Pairing Wireless Switch with Devices.....	9
Using the Wireless switch in Quick Home Connect .....	18
Resetting the Device in Quick Home Connect .....	20
LED Indications in Quick Home Connect.....	20
Troubleshooting in Quick Home Connect .....	20
Pairing the device with the Wiser Hub .....	22
Configuring the device .....	24
Setting the device location in the room.....	24
Renaming the device .....	26
Identifying the device .....	27
Removing the device from the system .....	28
Resetting the device.....	29
Using the device.....	29
Switching operation.....	29
Assigning an Action to the Wireless switch.....	30
Assigning a Moment to the Wireless switch.....	32
Removing configured Action/Moment .....	33
Replacing the battery .....	34
LED indications .....	34
Troubleshooting .....	35
Technical Data .....	35
Compliance.....	36
Product Environmental Data.....	36
EU Declaration of Conformity .....	36
Trademarks.....	36

# Safety Information

## Important Information

Read these instructions carefully and look at the equipment to become familiar with the device before trying to install, operate, service, or maintain it. The following special messages may appear throughout this manual or on the equipment to warn of potential hazards or to call attention to information that clarifies or simplifies a procedure.



The addition of either symbol to a “Danger” or “Warning” safety label indicates that an electrical hazard exists which will result in personal injury if the instructions are not followed.

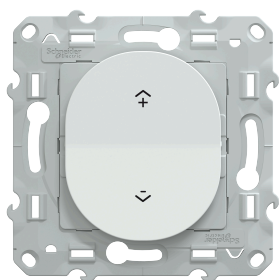


This is the safety alert symbol. It is used to alert you to potential personal injury hazards. Obey all safety messages that accompany this symbol to avoid possible injury or death.

<b>⚡⚠ DANGER</b>
<b>DANGER</b> indicates a hazardous situation which, if not avoided, <b>will result in</b> death or serious injury. <b>Failure to follow these instructions will result in death or serious injury.</b>
<b>⚠ WARNING</b>
<b>WARNING</b> indicates a hazardous situation which, if not avoided, <b>could result in</b> death or serious injury.
<b>⚠ CAUTION</b>
<b>CAUTION</b> indicates a hazardous situation which, if not avoided, <b>could result in</b> minor or moderate injury.
<b>NOTICE</b>
NOTICE is used to address practices not related to physical injury.



## Ovalis - Connected Wireless Switch 1-gang/2-gang



S3X0531

### For your safety

#### **⚠ DANGER**

##### **HAZARD OF ELECTRIC SHOCK, EXPLOSION, OR ARC FLASH**

While installing the device on a wall box or an existing switch outlet combination, always isolate the 230 V AC cables by applying an adhesive silver foil on the fixing plate.

**Failure to follow these instructions will result in death or serious injury.**

## About the device

The Connected Wireless Switch 1-gang/2-gang (hereinafter referred to as **Wireless switch**) is a battery-powered Wireless switch that is used to control a group of Zigbee devices (such as light/shutter) within the same Zigbee network.

The Wireless switch can be configured through the Wiser Home app.

### Advantage of using a Wireless switch:

- Easy to use and user-friendly interface: also good for children (placed lower on the wall) and for the elderly who may not be so familiar with smart phones.
- Easy to mount on the wall: no wiring required.

### Features of a Wireless switch:

- Using the app, you can add various Actions (such as lighting/shutter control) to the Wireless switch.
- Using the app, you can add moments to the Wireless switch (such as Movie Night Moment/Good Night Moment).
- Low battery notification in the app.

**NOTE:** This device user guide shows pairing, configuring and other features of Wireless switch 2-gang. The same applies for Wireless switch 1-gang.

## Installing the device

Refer to the installation instruction supplied with this product.

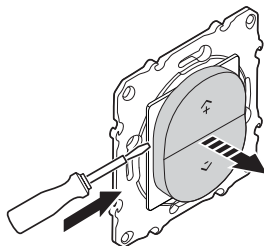
## Switching from 1-gang to 2-gang operation

You can change the Wireless switch mode from 1-gang to 2-gang before you pair your device to the **Hub**.

**NOTE:** The Wireless switch is in 1-gang mode by default.

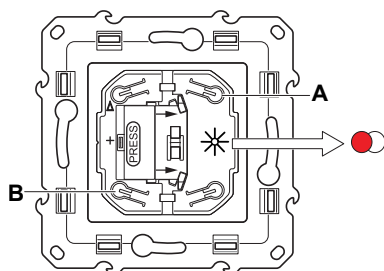
Follow the steps to change the mode:

1. Remove the 1-gang rocker from the Wireless switch.



2. Press and hold the push buttons (A and B) for at least 10 seconds until the LED starts blinking red.

The red LED indicates the switching process. The Wireless switch is now changed to 2-gang mode.



**NOTE:** To change the mode back to 1-gang, reset the Wireless switch to factory default mode. Refer to resetting the device, page 29.

## Quick Home Connect

Quick Home Connect is a wireless connectivity solution for Zigbee devices without the need for a Hub/Gateway or smartphone application. Quick Home Connect is your starting point for wireless home automation. It performs functions like switching, dimming and shutter control using the Connected Wireless Switch (hereinafter referred to as Wireless switch) via a Zigbee network.

The **Wireless switch** is a battery-powered wireless push-button switch that is used to control Zigbee devices (such as dimmer, shutter, switch, and socket) within the same Zigbee network.

## Limitations

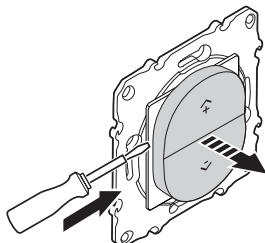
- Quick Home Connect serves only as a room control solution.
- With a 1-gang Wireless switch, you cannot mix lighting and shutter control. However, with a 2-gang Wireless switch, you can assign one gang for dimming/switching and the other for shutter control, or vice versa.
- This solution does not support remote control, smartphone app usage, or scheduling features.

## Pairing Wireless Switch with Devices

The following topics explain the pairing information for the micro module light switch, micro module shades control, multiwire micro module dimmer, rotary dimmer, push-button dimmer, socket outlet, relay switch, and blind control switches.

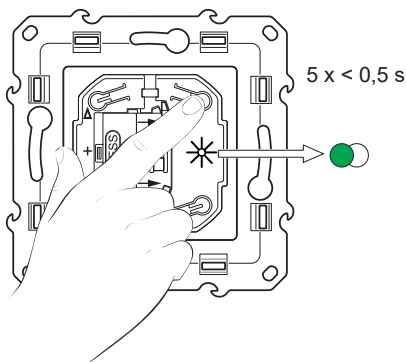
### Micro Module Light Switch (Puck)

1. Remove the rocker from the Wireless switch.



2. Short press the top-right push button 5 times in quick succession on the Wireless switch.

The status LED blinks green.



3.

**⚠ WARNING****HAZARD OF ELECTRIC SHOCK**

- Observe the regulations for working on live parts.
- Only actuate the device buttons using insulated auxiliary equipment that meets the requirements of EN 60900.

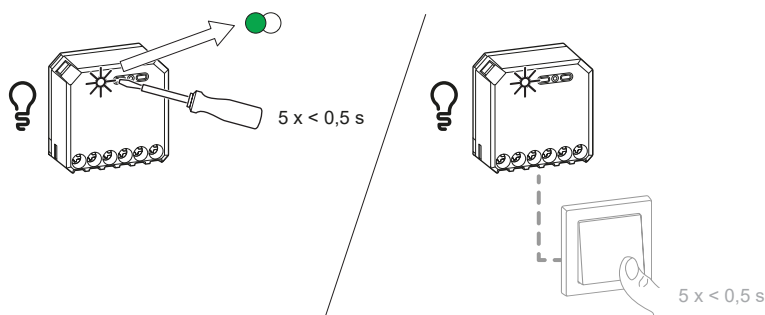
**Failure to follow these instructions can result in death, serious injury, or equipment damage.**

Follow either of the options to pair the Puck:

- Short press the Setup/Reset button 5 times in quick succession on the Puck.
- Short press the mechanical push button 5 times in quick succession.

The status LED blinks green on the Puck.

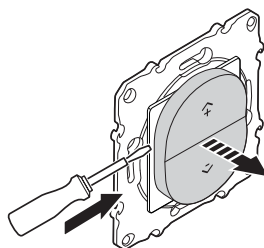
**NOTE:** If the Puck is located behind the mechanical push button, the status LED is not visible.



The light connected to the Puck blinks for a few times. The status LED stops blinking green on the Wireless switch and the Puck. The Puck can now be controlled by the Wireless switch.

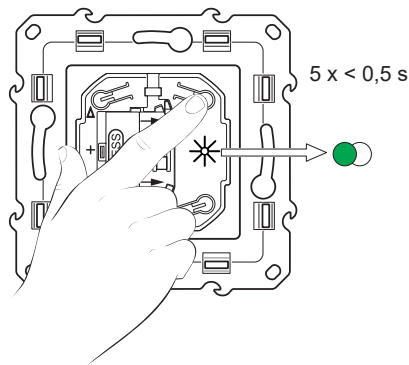
## Micro Module Shades Control (Puck)

1. Remove the rocker from the Wireless switch.



- Short press the top-right push button 5 times in quick succession on the Wireless switch.

The status LED blinks green.



3.

## ⚠ WARNING

### HAZARD OF ELECTRIC SHOCK

- Observe the regulations for working on live parts.
- Only actuate the device buttons using insulated auxiliary equipment that meets the requirements of EN 60900.

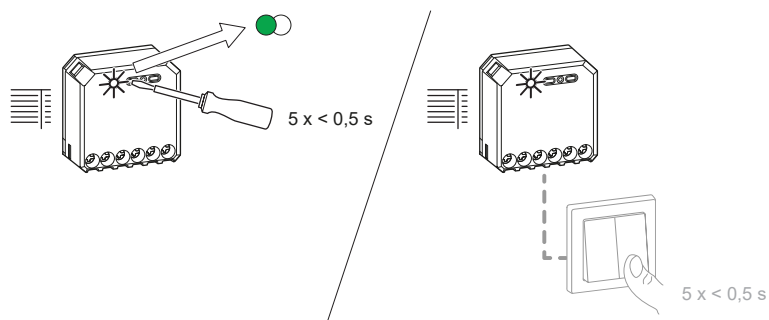
**Failure to follow these instructions can result in death, serious injury, or equipment damage.**

Follow either of the options to pair the Puck:

- Short press the Setup/Reset button 5 times in quick succession on the Puck.
- Short press the right mechanical push button for 5 times in quick succession.

The status LED blinks green on the Puck.

**NOTE:** If the Puck is located behind the mechanical double push button, the status LED is not visible.



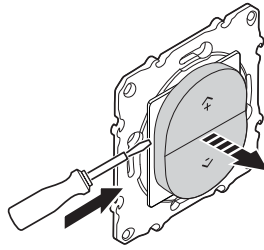
The shutter moves up and down for a few times. The status LED stops blinking green on the Wireless switch and the Puck. The Puck can now be controlled by the Wireless switch.

## Multiwire Micro Module Dimmer

**Prerequisites:** While connecting the dimmer to the mechanical push buttons, make sure that the terminal 1 of the dimmer is wired to the left mechanical push button, and terminal 2 of the dimmer is wired to the right mechanical push button.

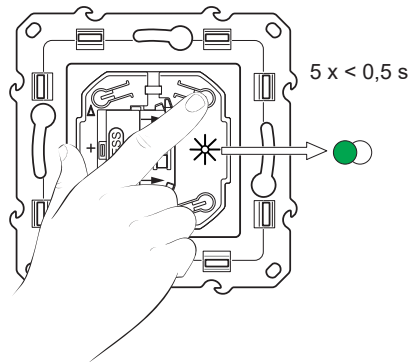


1. Remove the rocker from the Wireless switch.



2. Short press the top-right push button 5 times in quick succession on the Wireless switch.

The status LED blinks green.



- 3.

## ⚠ WARNING

### HAZARD OF ELECTRIC SHOCK

- Observe the regulations for working on live parts.
- Only actuate the device buttons using insulated auxiliary equipment that meets the requirements of EN 60900.

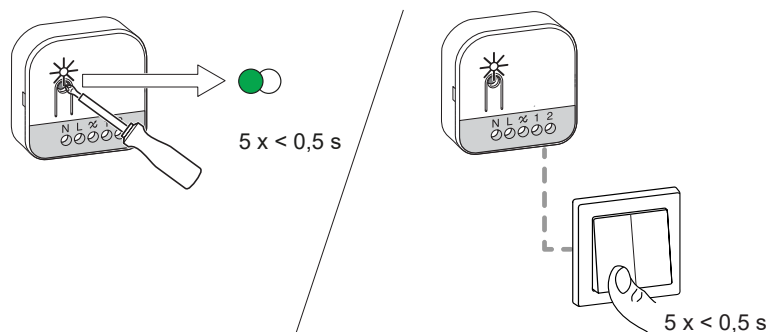
**Failure to follow these instructions can result in death, serious injury, or equipment damage.**

Follow either of the options to pair the Dimmer:

- Short press the Setup/Reset button 5 times in quick succession on the Dimmer.
- Short press the left push button (Wired to terminal 1) 5 times in quick succession.

The status LED blinks green on the Dimmer.

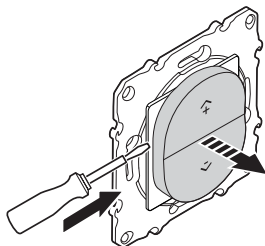
**NOTE:** If the Dimmer is located behind the mechanical push button, the status LED is not visible.



The light connected to the Dimmer blinks for a few times. The status LED stops blinking green on the Wireless switch and the Dimmer. The Dimmer can now be controlled by the Wireless switch.

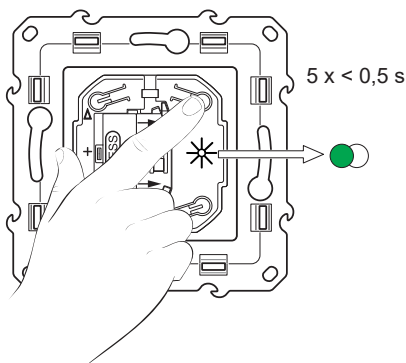
## Push-button Dimmer

1. Remove the rocker from the Wireless switch.



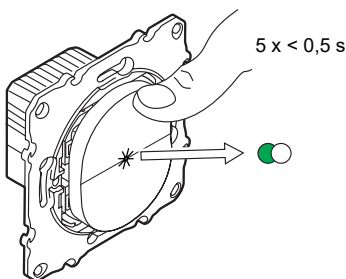
2. Short press the top-right push button 5 times in quick succession on the Wireless switch.

The status LED blinks green.



3. Short press the push-button of the Dimmer 5 times in quick succession.

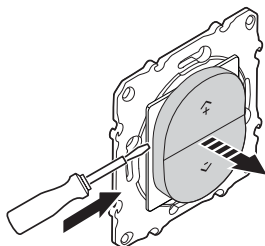
The status LED blinks green.



The light connected to the Push-button Dimmer blinks for a few times. The status LED stops blinking green on the Wireless switch and the Push-button Dimmer. The Push-button Dimmer can now be controlled by the Wireless switch.

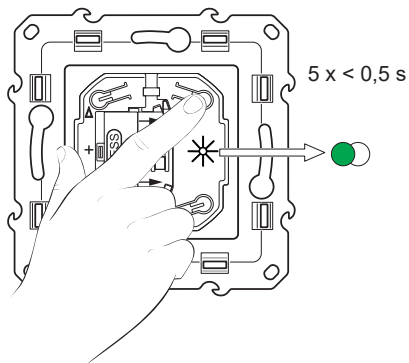
## Socket Outlet

1. Remove the rocker from the Wireless switch.



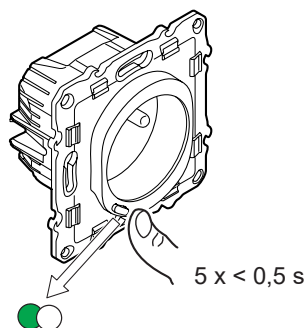
2. Short press the top-right push button 5 times in quick succession on the Wireless switch.

The status LED blinks green.



3. Short press the push-button of the Socket outlet 5 times in quick succession.

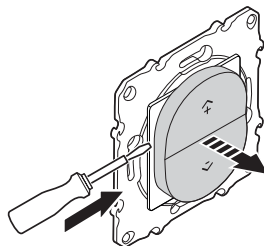
The status LED blinks green.



Upon successful pairing, the green LED on the Wireless switch and the Socket Outlet will stop blinking.

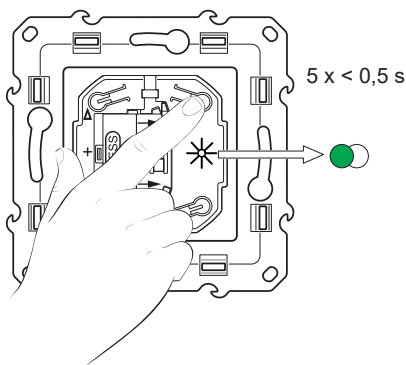
## Relay Switch

1. Remove the rocker from the Wireless switch.



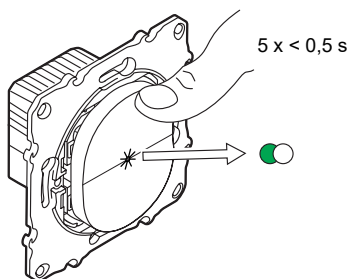
2. Short press the top-right push button 5 times in quick succession on the Wireless switch.

The status LED blinks green.



3. Short press the push-button of the Relay Switch 5 times in quick succession.

The status LED blinks green.



The light connected to the Relay Switch blinks for a few times. The status LED stops blinking green on the Wireless switch and the Relay Switch. The Relay Switch can now be controlled by the Wireless switch.

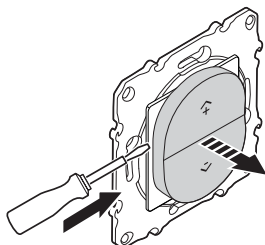
## Blind Control Switches

You can pair 2-gang or 1-gang Wireless switch with 2 Blind control switches as per your need.

### Pairing 1-gang with 1 or 2 Blind Control Switches

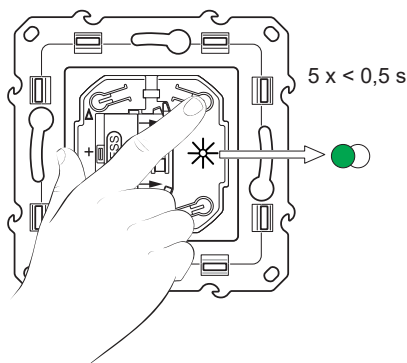
**NOTE:** If you want to pair a 1-gang FLS with one blind control switch, follow the steps up to step 3. To continue with a second blind control switch, follow the next steps.

1. Remove the rocker from the Wireless switch.



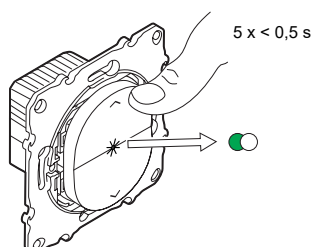
- Short press the top-right push button 5 times in quick succession on the Wireless switch.

The status LED blinks green.



- Short press the first blind control switch 5 times in quick succession.

The status LED blinks green.



The shutter will move up and down a few times. When successfully paired, the status LED on the Wireless switch and the blind control switch turns Off.

**IMPORTANT:** Check if the pairing was successful before you continue with the same channel.

- Repeat step 2.
- Repeat step 3 on the second blind control switch.

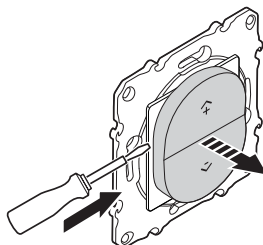
The shutter will move up and down a few times. When successfully paired, the status LED on the Wireless switch and the blind control switch turns Off.

## Pairing 2-gang with 2 Blind Control Switches

To pair the 2-gang Wireless switch with 2 blind control switches, you must change your Wireless switch to 2-gang operation. Refer to [Switching from 1-gang to 2-gang operation](#), page 6.

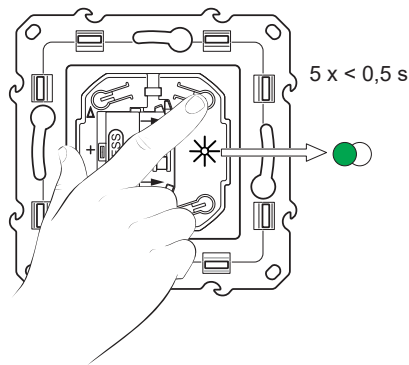
**NOTE:** Do not remove the rocker of the blind control switches.

- Remove the rocker from the Wireless switch.



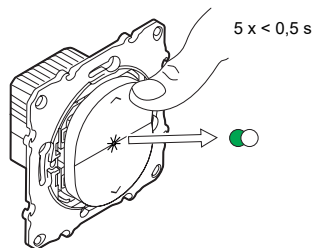
2. Short press the top-right push button 5 times in quick succession on the Wireless switch.

The status LED blinks green.



3. Short press the first blind control switch 5 times in quick succession.

The status LED blinks green.

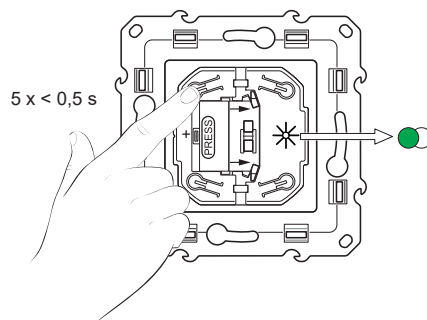


The shutter will move up and down a few times. When successfully paired, the status LED on the Wireless switch and the blind control switch turns Off.

**IMPORTANT:** Check if the pairing was successful before you continue with the same channel.

4. Short press the top-left push button 5 times in quick succession on the Wireless switch.

The status LED blinks green.



5. Repeat step 3 on the second blind control switch.

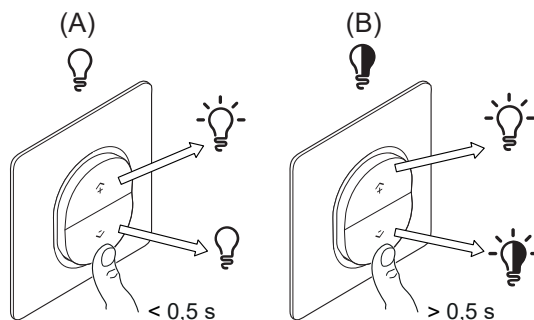
The shutter will move up and down a few times. When successfully paired, the status LED on the Wireless switch and the blind control switch turns Off.

## Using the Wireless switch in Quick Home Connect

### Operating a Dimmer

You can switch the dimmer ON/OFF and adjust its brightness using the paired Wireless switch.

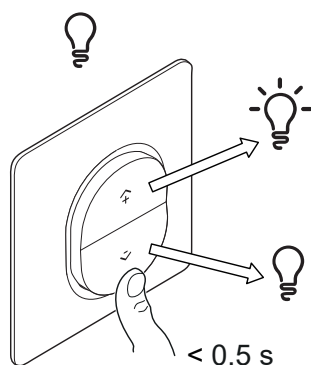
- Short press the top ( $\wedge+$ ) or bottom ( $\vee-$ ) of the Wireless switch ( $< 0,5$  s) to turn ON/OFF the connected load (A).
- Long press the top ( $\wedge+$ ) or bottom ( $\vee-$ ) of the Wireless switch ( $> 0,5$  s) to increase or decrease the brightness of the connected load (B).



### Operating a Relay Switch

You can turn the light ON/OFF using the paired Wireless switch.

Short press the top ( $\wedge+$ ) or bottom ( $\vee-$ ) of the Wireless switch ( $< 0,5$  s) to turn ON/OFF the light.

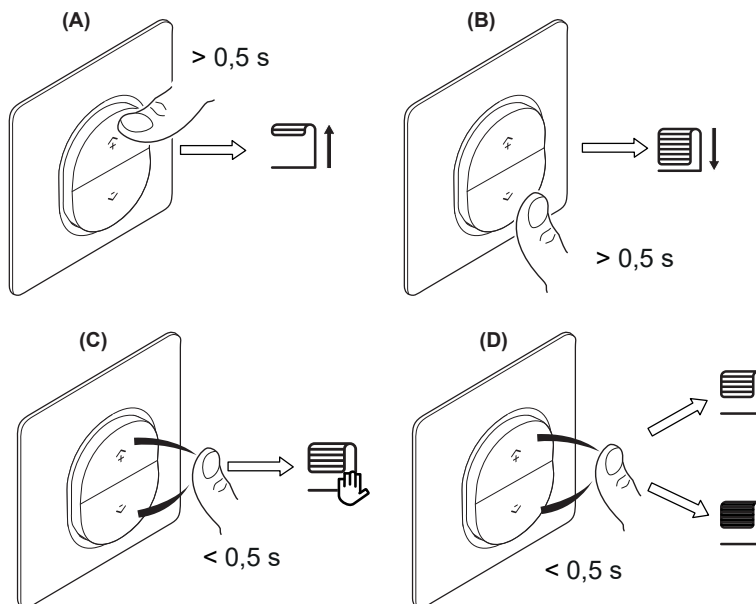


### Operating a Shades Control

You can operate the shades control using the Wireless switch.

- Long press the Wireless switch ( $> 0,5$  s) to move the shades control up or down.
  - Press ( $\wedge+$ ) to open the shades control (A)
  - Press ( $\vee-$ ) to close the shades control (B)



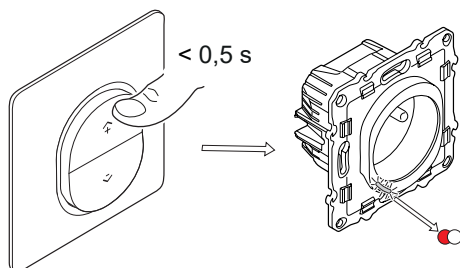


- Short press the top ( $\wedge+$ ) or bottom ( $\vee-$ ) of the Wireless switch ( $< 0,5$  s) to stop the moving shades control (C).
- Short press the top ( $\wedge+$ ) or bottom ( $\vee-$ ) of the Wireless switch ( $< 0,5$  s) to adjust the slat position (D).

## Operating a Socket Outlet

Short press the top ( $\wedge+$ ) or bottom ( $\vee-$ ) of the Wireless switch ( $< 0,5$  s) to turn ON/OFF the socket.

The LED blinks red indicating that the socket outlet is turned On.



## Resetting the Device in Quick Home Connect

It is necessary to reset the devices in the following scenarios:



- Unpair the device in Quick Home Connect:
- Refer to
  - Resetting the Wireless switch
  - Resetting the Micro module light switch
  - Resetting the Micro Module shades control
  - Resetting the Multiwire micro module dimmer
  - Resetting the Push-button dimmer
  - Resetting the Socket outlet
  - Resetting the Relay switch
  - Resetting the Blind control switch

When reset is done successfully. The Wireless switch and device returns to factory default.

- Integrating into Wiser System
  - If you wish to integrate the devices into Wiser System, reset all the devices in Quick Home Connect and refer to pairing the device with Wiser Hub.

## LED Indications in Quick Home Connect

### Pairing the device in Quick Home Connect

User Action	LED Indication	Status
Press the push button 5 times in quick succession.	LED blinks green, once per second. 	Pairing mode is active for 60 seconds. When pairing is completed, LED stops blinking. 

## Troubleshooting in Quick Home Connect

Symptom	Possible cause	Solution
LED displays amber on the device.	Pairing not completed and returned to factory default.	Pair the Wireless switch and the device again. Refer to <ul style="list-style-type: none"> <li>• Micro module light switch, page 9</li> <li>• Micro module shades control, page 10</li> <li>• Multiwire micro module dimmer, page 11</li> <li>• Push-button dimmer, page 13</li> <li>• Socket outlet, page 13</li> <li>• Relay switch, page 14</li> <li>• Blind control switches, page 15</li> </ul>
Wireless switch not able to control the device reliably.	The Wireless switch and the device are too far away from each other.	Place the Wireless switch in a position closer to the device.

Symptom	Possible cause	Solution
	The Wireless switch lost pairing.	Pair the device again.  Refer to <ul style="list-style-type: none"> <li>• Micro module light switch, page 9</li> <li>• Micro module shades control, page 10</li> <li>• Multiwire micro module dimmer, page 11</li> <li>• Push-button dimmer, page 13</li> <li>• Socket outlet, page 13</li> <li>• Relay switch, page 14</li> <li>• Blind control switches, page 15</li> </ul>
	The Wireless switch battery is discharged.	Replace the battery of the Wireless switch



Scenario	Procedure
Control multiple devices with one Wireless switch.	To control multiple devices with a single Wireless switch, start by pairing it with one device. Then, use the same Wireless switch to pair with additional devices.  <b>NOTE:</b> You can pair up to 7 devices to a single Wireless switch.
1-gang FLS with devices (relay switch, dimmer, shutter control, or socket outlet).	Pair the Wireless switch with any of the devices (relay switch, dimmer, shutter control, or socket outlet).
2-gang FLS with devices (relay switch, dimmer, shutter control, or socket outlet).	Pair either left or right Wireless switch with any of the devices (relay switch, dimmer, shutter control, or socket outlet). You can also pair another rocker of the Wireless switch with another device.

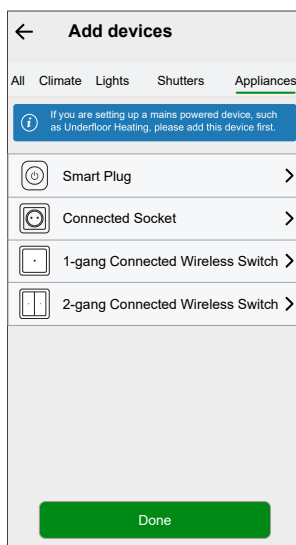
## Pairing the device with the Wiser Hub

Using the Wiser Home app, pair your Wireless switch with the **Wiser Hub** to access and control the Wireless switch.

**NOTE:** You can change the Wireless switch from 1-gang to 2-gang during commissioning. If the Wireless switch is already configured to 1-gang and you want to change it to 2-gang, then reset the device (1-gang), refer to [Resetting the device](#) and commission it again with 2-gang.

To Pair the Wireless switch:

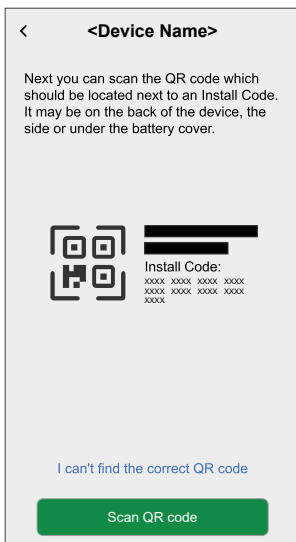
1. On the **Home** screen, tap .
2. Tap **Devices** >  > **Appliances** > **1-gang Connected Wireless Switch / 2-gang Connected Wireless Switch** > **Next**.



**TIP:** For 1-gang/2-gang Wireless switch, 2/4 push buttons are available for operation.

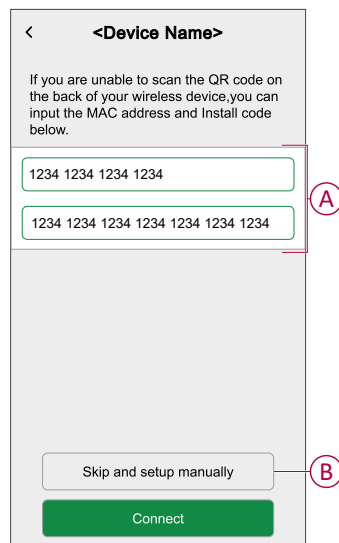
- 3. Tap **Scan QR code** and allow the Wisier Home app to access your camera. Then, scan the QR code located on the device.

**NOTE:** If you are unable to find the correct QR code, tap **I can't find the correct QR code** to pair the device manually and proceed to step 4.

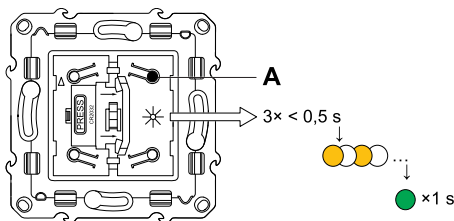


If the QR code is incorrect, a message **Incorrect QR code scanned** will appear. Tap **I can't scan the QR code** and choose one of the following options:

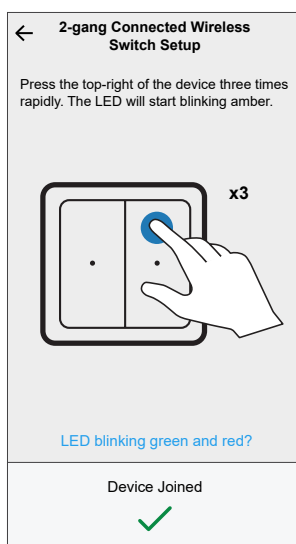
- **(A):** Enter the MAC Address and Install Code, then tap **Connect**. The app will verify if the MAC address and Install code are valid.
- **(B):** Tap this option if you are unable to find the MAC address and Install code.



4. Tap **Next**, remove the rocker of the Wireless switch and short press the top-right push button (A) 3 times and make sure that the LED blinks amber.



Wait for a few seconds until the LED turns green and the app confirms that the device is joined.



**NOTE:** If the LED is blinking green and red, see the instructions by tapping **LED blinking green and red?** or refer to the [Troubleshooting](#), page 35 topic.

5. Tap **Next** to enter the name of the device and assign the device to a new room or an existing room.

The Wireless switch is now listed on the **Control** tab under the **All** and **Room** tabs.

**Hint:**

- If the Wireless switch is configured as 2-gang, and you wish to switch it to 1-gang, you must reset the device and pair it again as a 1-gang.
- If the Wireless switch is configured as 1-gang, and you wish to switch it to 2-gang, you must reset the device and pair it again as a 2-gang.


For more information, refer to [Resetting the device](#), page 29.

6. Assemble the rocker on the Wireless switch.

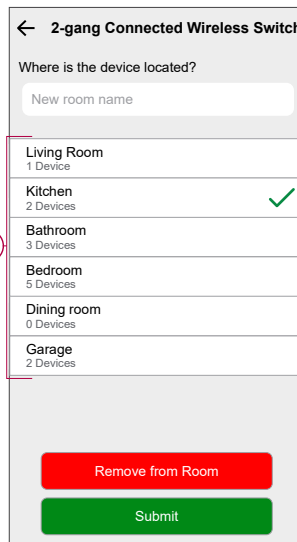
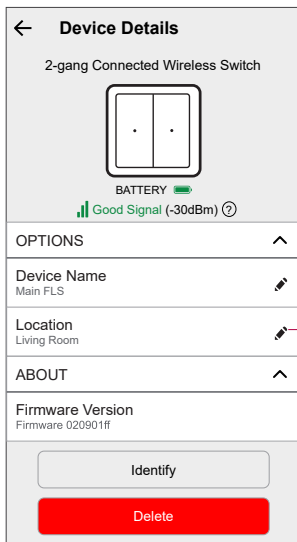
## Configuring the device

### Setting the device location in the room

Using the Wiser Home app, you can add your Wireless Switch to any room (such as bedroom, living room, dining room etc.).  
To add a Wireless Switch to a room:

1. On the **Home** screen, tap .


2. Tap **Devices > 2-gang Connected Wireless Switch > Location (A)** to assign the Wireless Switch to an existing room or a new room (B) and tap **Submit**.

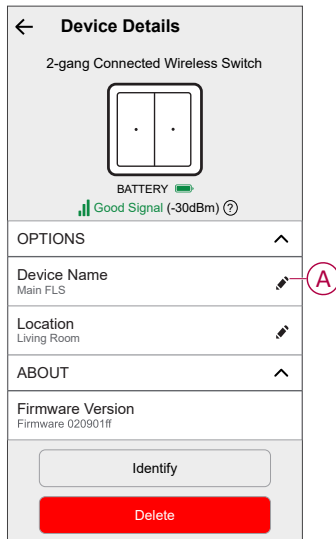




## Renaming the device

Using the Wiser Home app, you can rename your Wireless switch.

1. On the **Home** screen, tap .
2. Tap **Devices > 2-gang Connected Wireless Switch > Device Name (A)** to enter a new name.



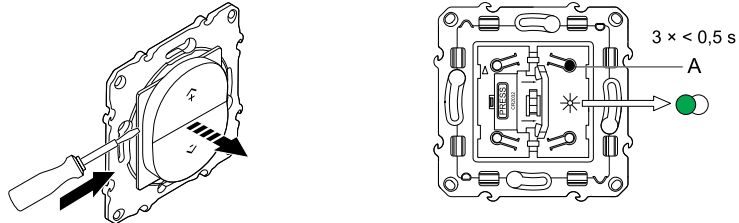
## Identifying the device

Using the Wiser Home app, you can identify a Wireless switch from the other available devices in the room.

To identify the Wireless switch:

1. Remove the rocker.
2. Short press the push button (A) 3 times in quick succession.

The Wireless switch wakes up for a minute and the status LED blinks green 5 times and then stops.

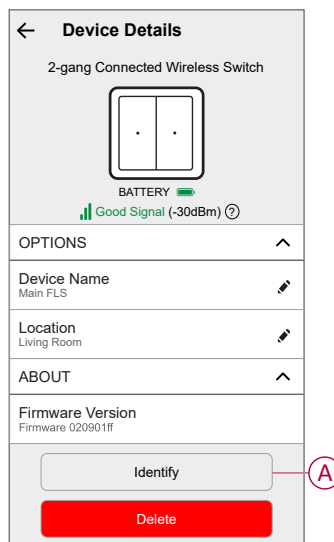


3. On the **Home** screen, tap  > **Devices > 2-gang Connected Wireless Switch > Identify (A)**.

The status LED blinks green upon successful identification of the Wireless switch.

**NOTE:** It can take up to a minute for the Wireless switch to indicate the status LED.

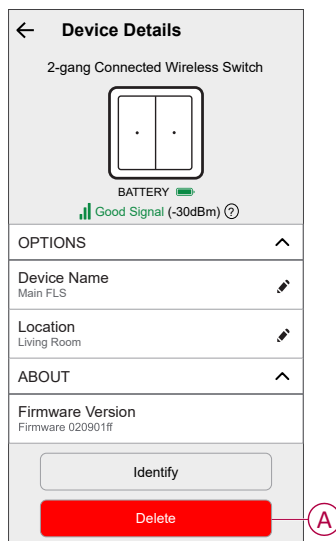
4. Tap **OK** when you have finished identifying the Wireless switch.
5. Assemble the rocker on the Wireless switch.



## Removing the device from the system

Using the Wisier Home app, you can remove the Wireless switch from the Wisier system.

1. On the **Home** screen, tap .
2. Tap **Devices > 2-gang Connected Wireless Switch > Delete (A)**.



**NOTE:** By removing the device, it is reset to factory default.

**TIP:** If the device is still in the system, reset the device manually. Refer to reset the device, page 29.

## Resetting the device

You can reset the Wireless switch manually as required:

- When the Hub is replaced.
- Switching from 1-gang to 2-gang or vice versa.

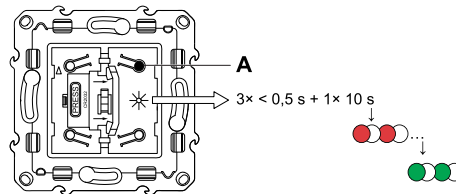
To reset the Wireless switch:

1. Remove the rocker.
2. Short press (< 0,5 s) the push button (A) 3 times and then press and hold it (> 10 s).

After 10 s, the status LED blinks red.

3. Release the push button.
  - The status LED stops blinking upon successful reset of the device.
  - The Wireless switch restarts and blinks green for few seconds. After reset, the status LED turns off.

**NOTE:** All configuration data, user data, and network data are deleted.

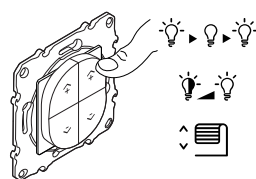


4. Assemble the rocker on the Wireless switch.

## Using the device

### Switching operation

You can operate the Wireless switch by pressing the push button manually.



#### Light

Short press the top (Λ+) or bottom (v-) the Wireless switch to turn on or off the light.

Long press the top (Λ+) or bottom (v-) Wireless switch (> 0,5 s) to increase or decrease the brightness.

#### Shutter

Long press top (Λ+) or bottom (v-) Wireless switch (> 0,5 s) to move the blind up or down.

#### Moment

Short press the push button to activate a Moment.

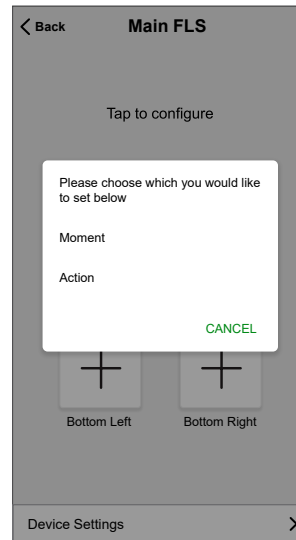
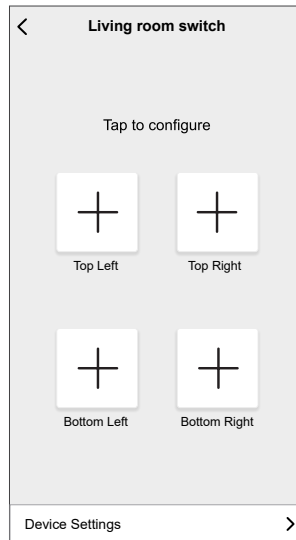
**TIP:** You can configure Wireless switch push button with Action/ Moment using the app.

## Assigning an Action to the Wireless switch

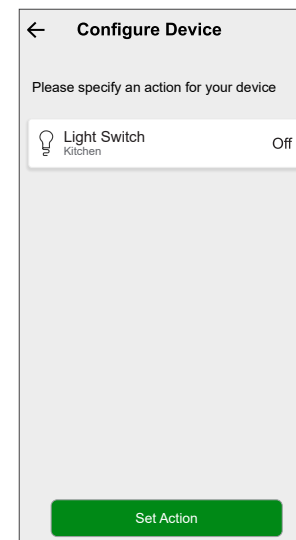
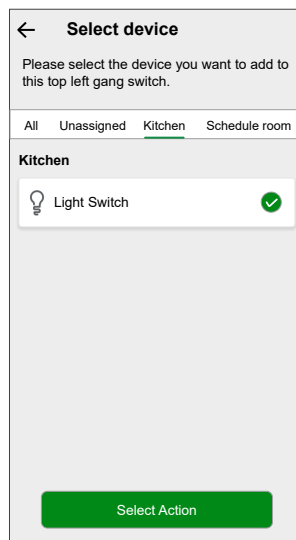
Using the Wisier Home app, you can configure an Action to the Wireless switch (such as turning on/off the lights, moving the shutter up or down or any combination).


To configure an Action to the Wireless switch:

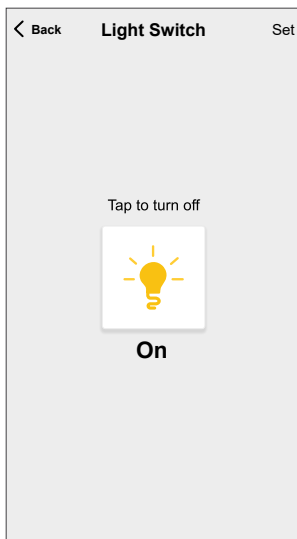
1. On the **Control** tab, tap **All** devices or the room tab where the Wireless switch is located.
2. Tap any key and select **Action**.




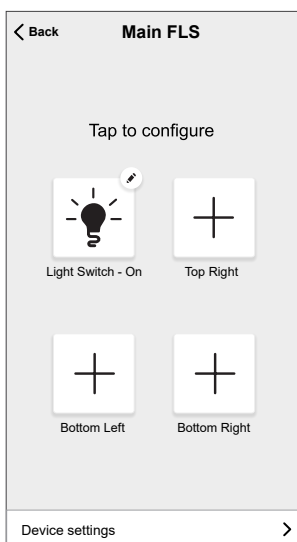
3. Select the device and tap **Select Action**.
4. On the **Configure Device** page, select the **Light Switch**.



5. Tap  to turn On the light and tap **Set > Set Action**.



In the next screen,  shows that the Action is successfully configured. The **Top Left** key is configured with **Light Switch: On**.



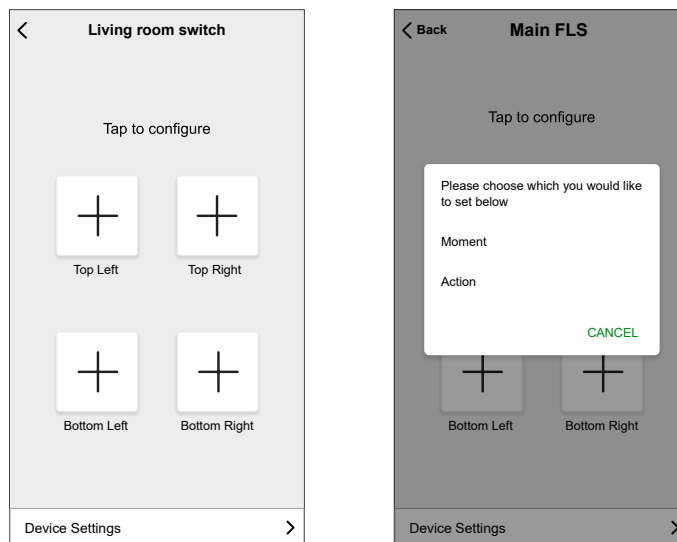
## Assigning a Moment to the Wireless switch

A Moment allows you to group multiple actions that are usually done together. Using the Wisier Home app, you can configure a Moment to the Wireless switch (such as Good Night Moment: Fan on, light dimming 50%, shutter close).

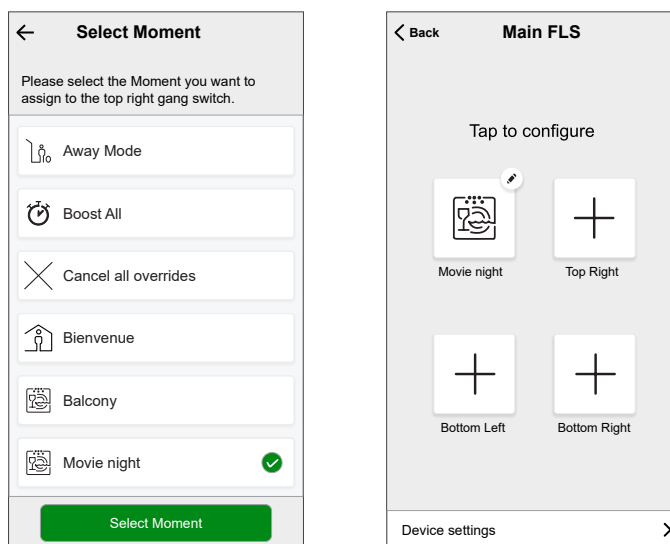
**TIP:** A moment can be assigned to any of the four keys individually.

To configure a Moment to the Wireless switch:

1. On the **Control** tab, tap **All** devices or the room tab where the Wireless switch is located.
2. Tap any key and select **Moment**.



3. Select a Moment which you want to add to the key and tap **Select Moment**.  
In the next screen, ✓ shows the Moment is successfully configured.



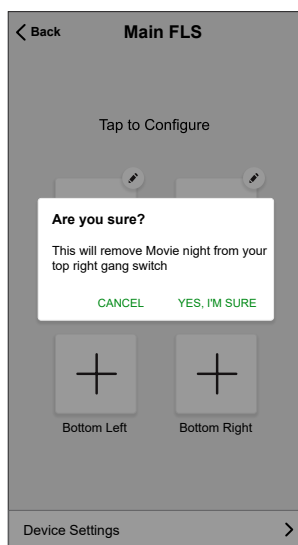


## Removing configured Action/Moment

Using the Wisier Home app, you can remove the configured Action or Moment from the Wireless switch key.

To remove the configured Action/Moment:

1. On the **Control** tab, tap **All** devices or the room tab where the Wireless switch is located.
2. Tap push button and tap **Action / Moment >Remove > YES, I'M SURE** to remove configured Action/Moment from the Wireless switch key.



## Replacing the battery

Replace the Wireless switch when the battery level is low. The battery level can be seen in the app.

**⚠ WARNING**

**CHEMICAL BURN HAZARD**

Keep batteries out of reach of children. If swallowed, seek immediate medical attention.

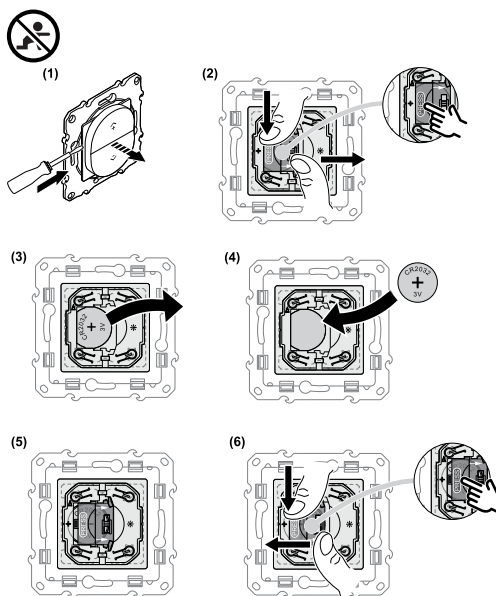
**Failure to follow these instructions can result in death, serious injury, or equipment damage.**

**NOTE:** The battery lid is designed with child lock protection.

1. Remove the rocker using a screwdriver.
2. Press and hold the battery lid at the marked area while sliding it to open.
3. Remove the old battery and press any push button for a few seconds.



**NOTE:** Dispose the used batteries, as per statutory regulations.

4. Insert a new battery with plus (+) symbol facing outward.
5. Place the battery lid.
6. Press and hold the battery lid at the same spot while sliding it to close.





## LED indications


### Pairing the device

User Action	LED Indication	Status
Press the push button 3 times	LED blinks orange, once per second. 	Pairing mode is active for 30 seconds. When pairing is completed, LED displays solid green for a few seconds, before turning Off. 



## Resetting the device

User Action	LED Indication	Status
Press the push button 3 times and hold it down once for > 10 s.	LED blinks red, once per second. 	The device is in reset mode. The device then restarts and the LED starts blinking green, before turning Off. 

## Battery level

LED Indication	Status
LED blinks red once, when a push button is pressed. 	The battery is low (< 10%), Replace the Wireless Switch battery, page 34. <b>NOTE:</b> A notification pop-up will appear on the app.

## Troubleshooting

Symptom	Possible cause	Solution
LED blinks red.	The Wireless Switch battery is low or drained.	Replace the Wireless Switch battery, page 34. <b>NOTE:</b> A notification pop-up will appear on the app.
The Wireless Switch displays offline in the app.	The Wireless Switch battery is low or drained.	Replace the Wireless Switch battery, page 34.
	The Wireless Switch is disconnected from the network.	Press any push button on the Wireless Switch. <b>NOTE:</b> The first press does not trigger Wireless Switch operation.
The device is not able to connect with the Hub. After pressing top-right push button 3 times, the device LED blinks red/green for 30 s. 	Pairing mode has changed.	Press the top-right push button on the device 3 times then hold for 20 s, until the LED blinks red. The device should reboot into the correct mode. 

## Technical Data

Battery	CR2032
Battery life	Up to 5 years (depending on frequency of use and quality of battery)
IP rating	IP20
Operating frequency	2405-2480 MHz
Max. radio-frequency power transmitted	<10 mW
Operating temperature	-5 °C to 45 °C
Relative humidity	5% to 95%
Communication protocol	Zigbee 3.0

## Compliance

### Product Environmental Data

Find and download comprehensive environmental data about your products, including RoHS compliance and REACH declarations as well as Product Environmental Profile (PEP), End-of-Life instructions (EOLI) and much more.

<https://www.se.com/myschneider>



### General information about Schneider Environmental Data Program

Click the link below to read about Schneider Electric's Environmental Data Program.

<https://www.se.com/ww/en/about-us/sustainability/environmental-data-program/>



### EU Declaration of Conformity

Hereby, Schneider Electric Industries, declares that this product is in compliance with the essential requirements and other relevant provisions of RADIO DIRECTIVE 2014/53/EU. Declaration of conformity can be downloaded on [se.com/docs](https://www.se.com/docs).

### Trademarks

This guide makes reference to system and brand names that are trademarks of their relevant owners.

- Zigbee® is a registered trademark of the Connectivity Standards Alliance.
- Apple® and App Store® are brand names or registered trademarks of Apple Inc.
- Google Play™ Store and Android™ are brand names or registered trademarks of Google Inc.

- Wi-Fi® is a registered trademark of Wi-Fi Alliance®.
- Wiser™ is a trademark and the property of Schneider Electric, its subsidiaries and affiliated companies.
- Amazon Alexa™ is a trademark of AMAZON TECHNOLOGIES, INC.
- Google Home™ is a trademark of Google INC.

Other brands and registered trademarks are the property of their respective owners.

Schneider Electric  
35 rue Joseph Monier  
92500 Rueil Malmaison  
France

+ 33 (0) 1 41 29 70 00

[www.se.com](http://www.se.com)

As standards, specifications, and design change from time to time, please ask for confirmation of the information given in this publication.

© 2022 – 2025 Schneider Electric. All rights reserved.

DUG\_Ovalis - Wireless Switch\_WH-02